

**CUSTOMER DRAWING**

REV.	DESCRIPTION	DATE	DRAWN	CHECK	APPROVE
J	ECN93144	11/23/04'	Jenny	Ren	Peter
K	ECN98033	12/02/09'	Denice	Deming	Peter

**ORDERING INFORMATION**

**FZC4 A 010 H TX 2 X**  
 ① ② ③ ④ ⑤ ⑥ ⑦

**① PRODUCT SERIES**

1.0mm FPC CONNECTOR  
 TOP ENTRY CONTACT  
 DIP TYPE

**② TYPE OF LAYOUT**

SEE DRAWING

**③ NUMBER OF CONTACTS**

4 - 34

**④ INSULATOR TYPE**

BLANK: NON-HALOGEN FREE  
 H: HALOGEN FREE

**⑤ CONTACT PLATING**

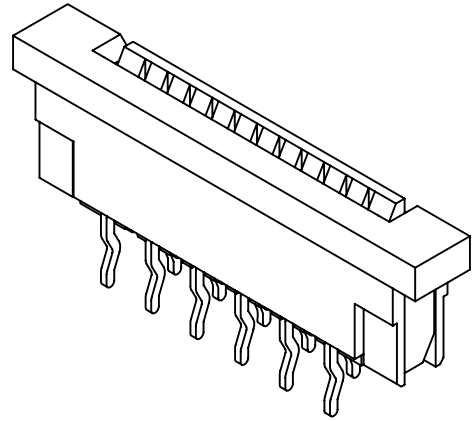
TF: LEAD FREE BRIGHT PLATED  
 (UNDER 90 PPM)  
 TF1: LEAD FREE MATTE PLATED  
 (UNDER 90 PPM)

**⑥ PACKING METHOD**

2: TUBE

**⑦ BOM CODE**

IDENTIFY BY UNICORN

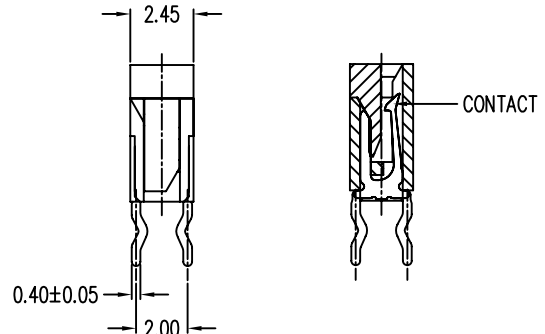
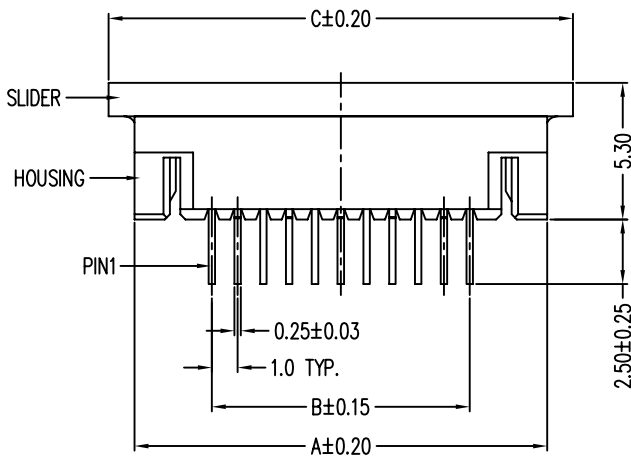
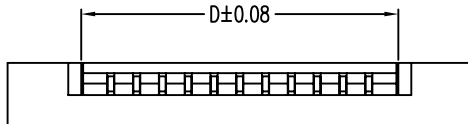


**PERFORMANCE CHARACTERISTICS**

Operating Voltage: 100 VAC Max.  
 Current Rating: 0.5 Amp Max.  
 Contact Resistance: 30 mΩ Max.  
 Insulation Resistance: 500 MΩ Min.  
 Dielectric Withstanding Voltage: 500 VAC RMS.  
 Operating Temperature: -40°C TO +85°C  
 Accommodated FFC/FPC Thickness: 0.25~0.35mm

**MATERIAL**

Insulator: High Temperature Thermoplastic;  
 UL94V-0 Rated.  
 Slider: High Temperature Thermoplastic;  
 UL94V-0 Rated. (COLOR : BLACK)  
 Terminal: Copper Alloy  
 Plating: See Ordering Information



**TOLERANCE**  
 (UNLESS SPECIFIED)  
 0.0 ±0.35  
 0.00 ±0.20  
 0.000 ±0.XX



**UNICORN**  
 ELECTRONICS  
 COMPONENTS

**TITLE:**  
 1.0 ZIF FPC CONN. TOP ENTRY  
 CONTACT DIP TYPE.

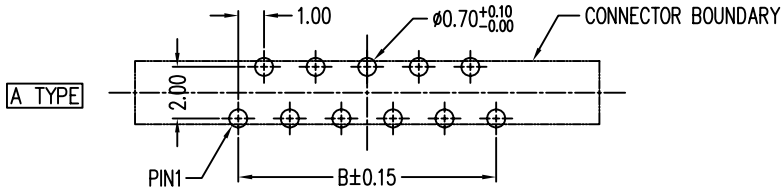
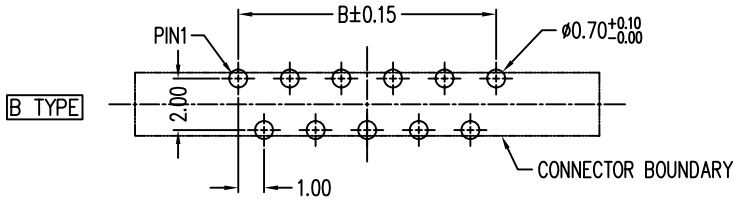
**DWG NO.**  
 FZC4\_C  
**FILE PATH**  
 FZC4\FZC4\_CK

**SERIES**  
 FZ

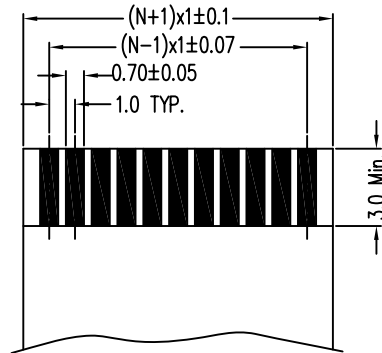
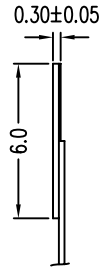
**SHEET**  
 1/2  
**REV.**  
 K

**CUSTOMER DRAWING**

REV.	DESCRIPTION	DATE	DRAWN	CHECK	APPROVE
J	ECN93144	11/23/04'	Jenny	Ren	Peter
K	ECN98033	12/02/09'	Denice	Deming	Peter



(RECOMMENDED PCB LAYOUT)



N=NUMBER OF CONTACTS  
(APPLICABLE FPC/FFC)

DIM. TABLE

19	24.00	18.00	26.00	20.15	34	39.00	33.00	41.00	35.15
18	23.00	17.00	25.00	19.15	33	38.00	32.00	40.00	34.15
17	22.00	16.00	24.00	18.15	32	37.00	31.00	39.00	33.15
16	21.00	15.00	23.00	17.15	31	36.00	30.00	38.00	32.15
15	20.00	14.00	22.00	16.15	30	35.00	29.00	37.00	31.15
14	19.00	13.00	21.00	15.15	29	34.00	28.00	36.00	30.15
13	18.00	12.00	20.00	14.15	28	33.00	27.00	35.00	29.15
12	17.00	11.00	19.00	13.15	27	32.00	26.00	34.00	28.15
11	16.00	10.00	18.00	12.15	26	31.00	25.00	33.00	27.15
9	14.00	8.00	16.00	10.15	25	30.00	24.00	32.00	26.15
8	13.00	7.00	15.00	9.15	24	29.00	23.00	31.00	25.15
7	12.00	6.00	14.00	8.15	23	28.00	22.00	30.00	24.15
6	11.00	5.00	13.00	7.15	22	27.00	21.00	29.00	23.15
5	10.00	4.00	12.00	6.15	21	26.00	20.00	28.00	22.15
4	9.00	3.00	11.00	5.15	20	25.00	19.00	27.00	21.15
POS.	A	B	C	D	POS.	A	B	C	D



TOLERANCE  
(UNLESS SPECIFIED)

0.0	±0.35
0.00	±0.20
0.000	±0.XX



**UNICORN**  
ELECTRONICS  
COMPONENTS

TITLE:  
1.0 ZIF FPC CONN. TOP ENTRY  
CONTACT DIP TYPE.

DWG NO.  
FZC4\_C  
FILE PATH  
FZC4\FZC4\_CK

SERIES  
FZ

SHEET  
2/2  
REV.  
K