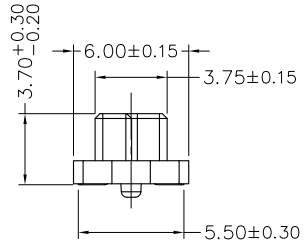
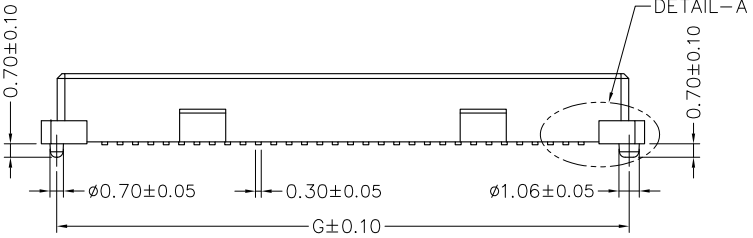


THE COPLANARITY OF ALL TAILS IS 0.10 MAX.
DETAIL-A
 SCALE 3:1



- NOTE:**
- MATERIAL
 - HOUSING: LCP, HIGH TEMPERATURE THERMOPLASTIC, UL94V-0 RATED. (COLOR: NATURE)
 - TERMINAL: HIGH CONDUCTIVITY COPPER; T:0.15mm
 - CAP: STAINLESS; T:0.20mm
 - TERMINAL FINISH
 - CONTACT AREA: GOLD PLATING (SEE ORDERING INFORMATION)
 - SOLDER AREA: TIN PLATING 80μ" MIN.
 - UNDERPLATE PLATED: NICKEL 50μ" MIN.
 - CAP FINISH
NO PLATED

< ORDERING INFORMATION >

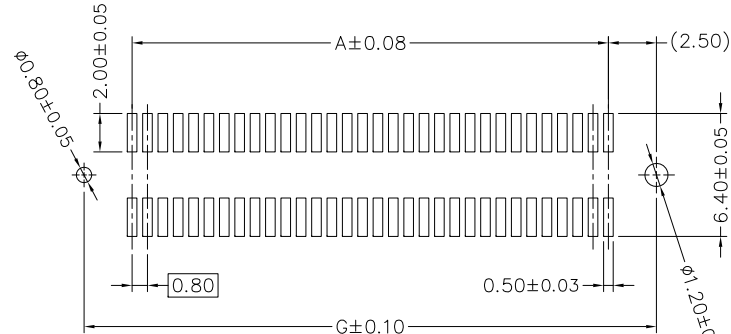
SERIES NO. BR037 XXXX GXXF1 3 1
 0.8 PITCH BOARD TO BOARD
 3.7H RECEPTACLE CONNECTOR

CONTACT POS.
SEE DIM. TABLE

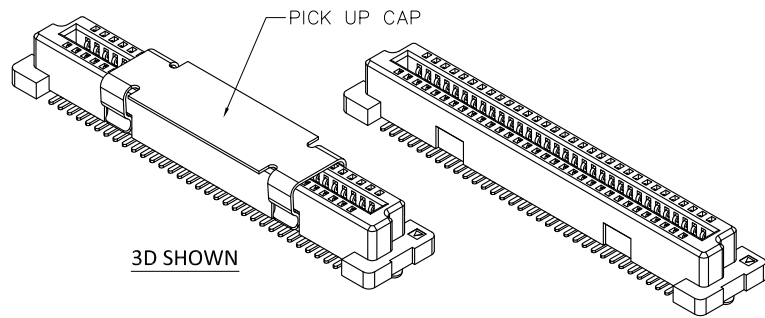
CAP OPTION
 0: WITHOUT CAP
 1: WITH MATER CAP

PACKAGE
 2: TUBE
 3: T&R

CONTACT PLATING
 GOLD PLATING ON CONTACT AREA
 MATTE-TIN (80μ" MIN.) ON SOLDER AREA
 NICKEL (50μ" MIN.) UNDERPLATED OVER ALL.
 G29F1: GOLD 4μ" MIN.
 G30F1: GOLD 8μ" MIN.
 G20F1: GOLD 15μ" MIN.



RECOMMENDED PCB LAYOUT WITH PEGS



3D SHOWN

DIM. TABLE

ORDERING NO.	CONTACT POSITIONS	DIENSSION						
		A	B	C	D	E	F	G
2032	2 X 32	24.80	26.80	29.75	29.65	26.65	31.40	29.80
2040	2 X 40	31.20	33.20	34.75	36.15	33.05	37.80	36.20
2060	2 X 60	47.20	49.20	50.75	52.15	49.05	53.80	52.20
2100	2 X 100	79.20	81.20	82.75	84.15	81.05	85.80	84.20

△	Revised	2016,12,30
▲	New Version	2016,12,07
REV.	DESCRIPTION	DATE
DR. Shun	CHK. APP. Peter	

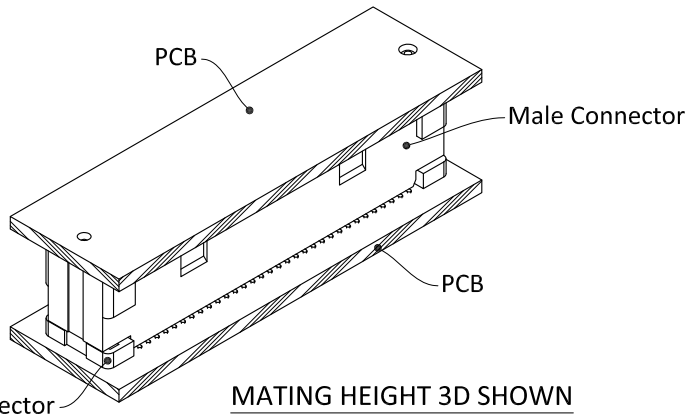
UNITS: MM
TOLERANCE (UNLESS SPECIFIED)
 0.0 ±0.35
 0.00 ±0.20
 0.000 ±0.10
 ANG. ±1°



TITLE:
 0.8 PITCH BOARD TO BOARD
 3.7H RECEPTACLE CONNECTOR

DWG NO. BR037_P
FILE PATH BTB\BR037\BR037_P2

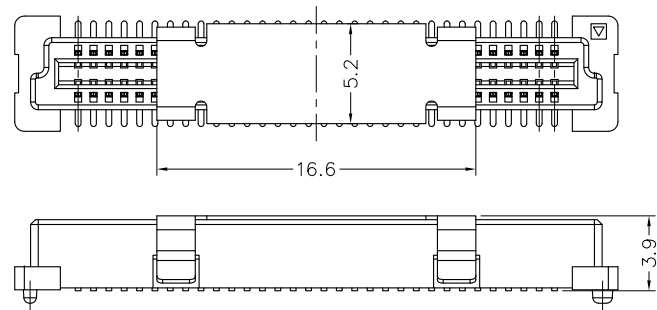
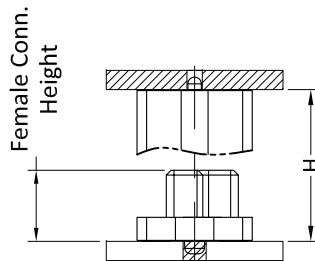
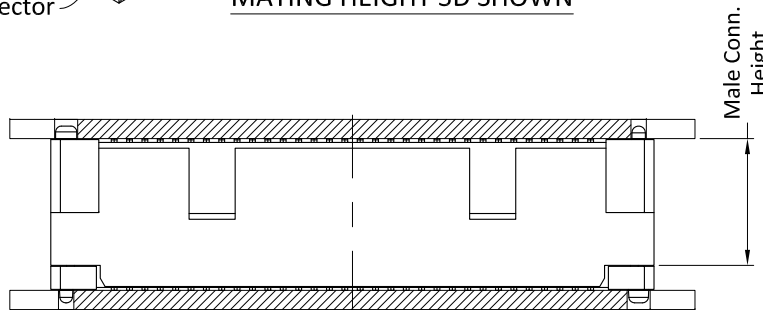
SHEET 1 / 2
REV. 2



MATING HEIGHT 3D SHOWN

@ Mating Height Option Table

Connector Height(mm)		Mating Height(mm)
Female	Male	H
3.7	4.7	4.9
	7.7	7.90



WITH CAP

△	Revised	2016,12,30
⚠	New Version	2016,12,07
REV.	DESCRIPTION	DATE
DR. Shun	CHK.	APP. Peter



TOLERANCE
(UNLESS SPECIFIED)

0.0	±0.35
0.00	±0.20
0.000	±0.10
ANG.	±1°



TITLE:
0.8 PITCH BOARD TO BOARD
3.7H RECEPTACLE CONNECTOR

DWG NO. BR037_P	SHEET 2 / 2
FILE PATH BTB\BR037\BR037_P2	REV. 2