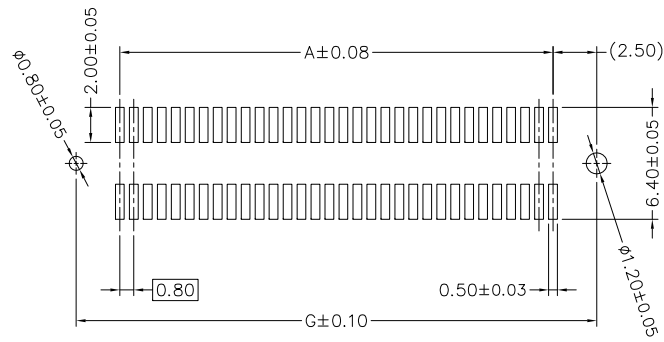
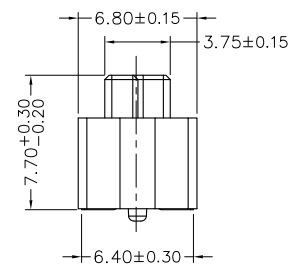
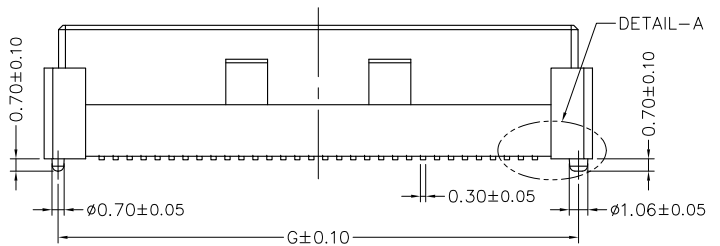


DETAIL-A
SCALE 3:1



RECOMMENDED PCB LAYOUT WITH PEGS

NOTE:

1. MATERIAL
 - 1.1 HOUSING: LCP, HIGH TEMPERATURE THERMOPLASTIC, UL94V-0 RATED. (COLOR: NATURE)
 - 1.2 TERMINAL: HIGH CONDUCTIVITY COPPER; T:0.20mm
 - 1.3 CAP: STAINLESS; T:0.20mm
2. TERMINAL FINISH
 - 2.1 CONTACT AREA: GOLD PLATING (SEE ORDERING INFORMATION)
 - 2.2 SOLDER AREA: TIN PLATING 80μ" MIN.
 - 2.3 UNDERPLATE PLATED: NICKEL 50μ" MIN.
3. CAP FINISH
NO PLATED

< ORDERING INFORMATION >

SERIES NO. **BR077** **XXXX** **GXXF1** **3** **1**

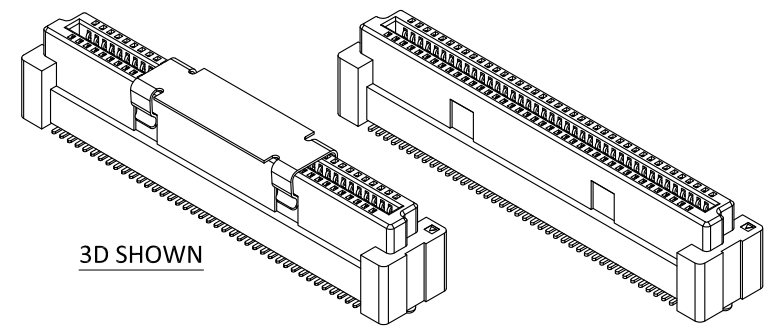
0.8 PITCH BOARD TO BOARD
7.7H RECEPTACLE CONNECTOR

CONTACT POS. SEE DIM. TABLE

CAP OPTION
0: WITHOUT CAP
1: WITH WATER CAP

PACKAGE
2: TUBE
3: T&R

CONTACT PLATING
GOLD PLATING ON CONTACT AREA
MATTE-TIN (80μ" MIN.) ON SOLDER AREA
NICKEL (50μ" MIN.) UNDERPLATED OVER ALL.
G29F1: GOLD 4μ" MIN.
G30F1: GOLD 8μ" MIN.
G20F1: GOLD 15μ" MIN.



3D SHOWN

DIM. TABLE

ORDERING NO.	CONTACT POSITIONS	DIMENSION						
		A	B	C	D	E	F	G
2032	2 X 32	24.80	26.80	29.75	29.65	26.65	31.40	29.80
2040	2 X 40	31.20	33.20	34.75	36.15	33.05	37.80	36.20
2060	2 X 60	47.20	49.20	50.75	52.15	49.05	53.80	52.20
2100	2 X 100	79.20	81.20	82.75	84.15	81.05	85.80	84.20

△	Revised	2016,12,30
△	New Version	2016,12,07
REV.	DESCRIPTION	DATE
DR. Shun	CHK.	APP. Peter

TOLERANCE (UNLESS SPECIFIED)
0.0 ±0.35
0.00 ±0.20
0.000 ±0.10
ANG. ±1°

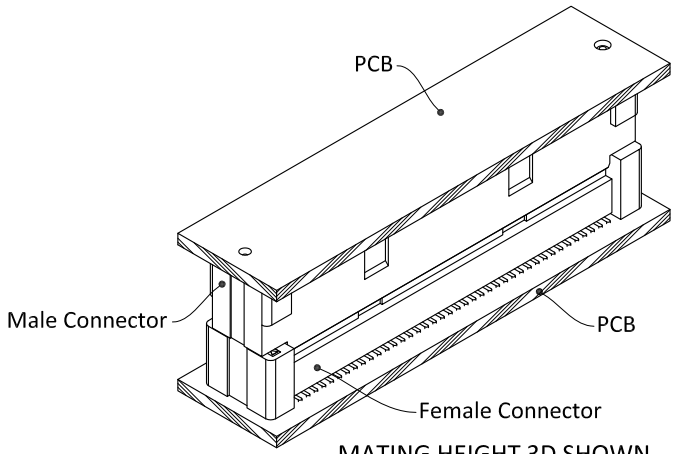
UNITS: MM



TITLE: 0.8 PITCH BOARD TO BOARD
7.7H RECEPTACLE CONNECTOR

DWG NO. BR077_P
FILE PATH BTB\BR077\BR077_P2

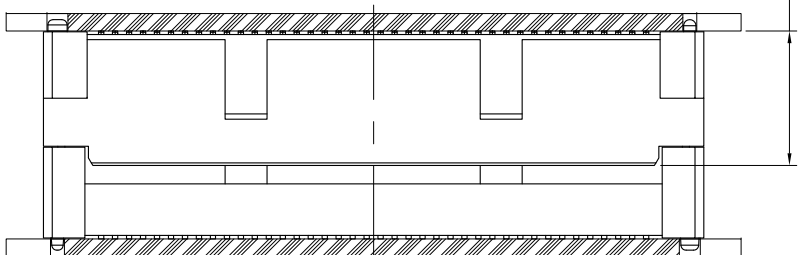
SHEET 1 / 2
REV. 2



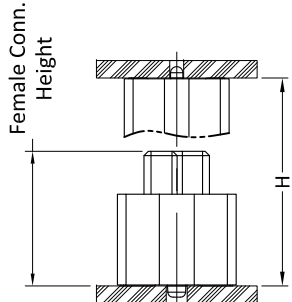
MATING HEIGHT 3D SHOWN

@ Mating Height Option Table

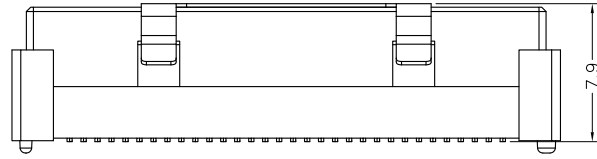
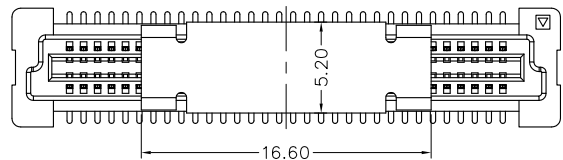
Connector Height(mm)		Mating Height(mm)
Female	Male	H
7.7	4.7	8.9
	7.7	11.90



Male Conn. Height



Female Conn. Height



WITH CAP

△	Revised	2016,12,30
⚠	New Version	2016,12,07
REV.	DESCRIPTION	DATE
DR. Shun	CHK.	APP. Peter



TOLERANCE
(UNLESS SPECIFIED)
0.0 ±0.35
0.00 ±0.20
0.000 ±0.10
ANG. ±1°



TITLE:
0.8 PITCH BOARD TO BOARD
7.7H RECEPTACLE CONNECTOR

DWG NO. BR077_P
FILE PATH BTB\BR077\BR077_P2

SHEET 2 / 2
REV. 2