

CUSTOMER DRAWING

REV.	DESCRIPTION	DATE	DRAWN	CHECK	APPROVE
F	ECN95031	07/13/06'	Denice	Ren	Peter
G	ECN98011	05/05/09'	Denice	Ren	Peter

ORDERING INFORMATION

EZ01 OXX H TX 2 X
 ① ② ③ ④ ⑤ ⑥

① PRODUCT SERIES

0.5mm FPC CONN.
 LOWER CONTACT EASY ON
 SIDE ENTRY SMT SLIM TYPE

② NUMBER OF CONTACTS

4 ~ 35

③ INSULATOR TYPE

BLANK: NON-HALOGEN FREE
 H: HALOGEN FREE

④ CONTACT PLATING

TF: LEAD FREE BRIGHT PLATED
 (UNDER 90 PPM)
 TF1: LEAD FREE MATTE PLATED
 (UNDER 90 PPM)
 G21: Au(3u") PLATED
 G26: Au(1u") PLATED

⑤ PACKING METHOD

2: TUBE
 3: TAPE/REEL

⑥ BOM CODE

IDENTIFY BY UNICORN

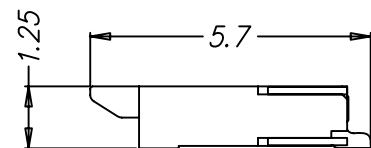
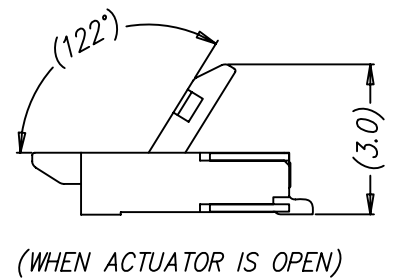
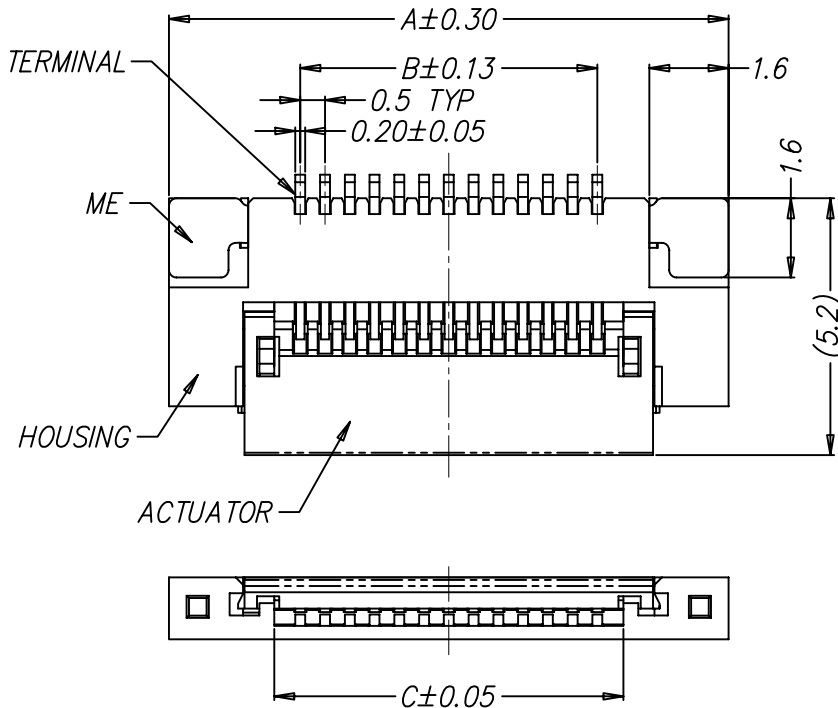
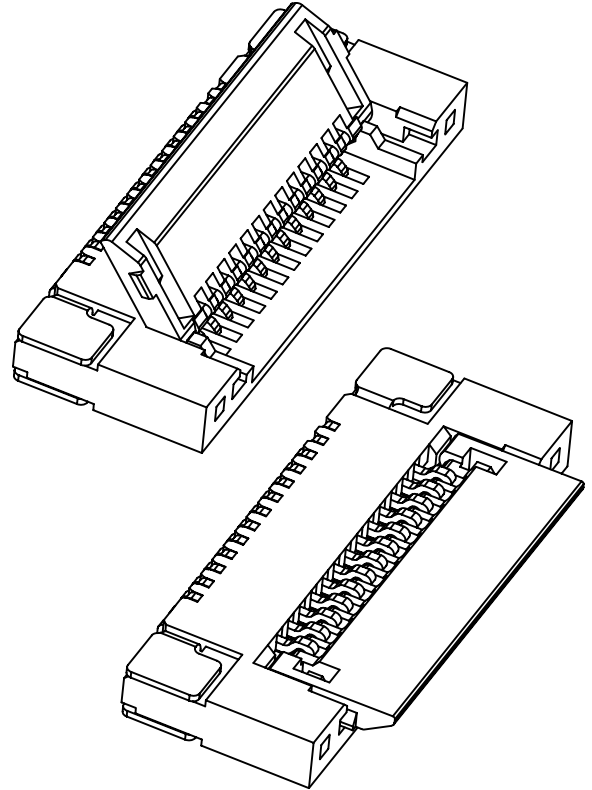
PERFORMANCE CHARACTERISTICS

Operating Voltage: 50V AC Max.
 Current Rating: 0.5 Amp Max.
 Contact Resistance: 40 mΩ Max.
 Insulation Resistance: 50 MΩ Min.
 Dielectric Withstanding Voltage: 250V AC/minute
 Accommodated FFC/FPC Thickness: 0.30±0.03 mm
 Operating Temperature: -20°C TO +85°C

MATERIAL

Housing: High Temperature Thermoplastic;UL 94V-0
 (Color : Ivory)
 Actuator: High Temperature Thermoplastic;UL 94V-0
 (Color : Black)
 Terminal: Copper Alloy
 ME: Copper Alloy
 Plating: See ordering information

INFORMATION ONLY



TOLERANCE (UNLESS SPECIFIED)

0.0	±0.35
0.00	±0.20
0.000	±0.XX



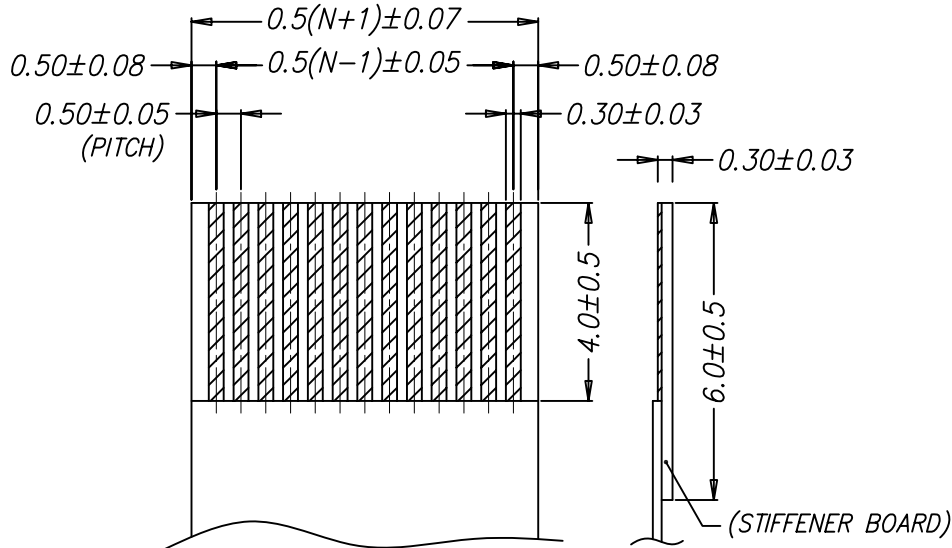
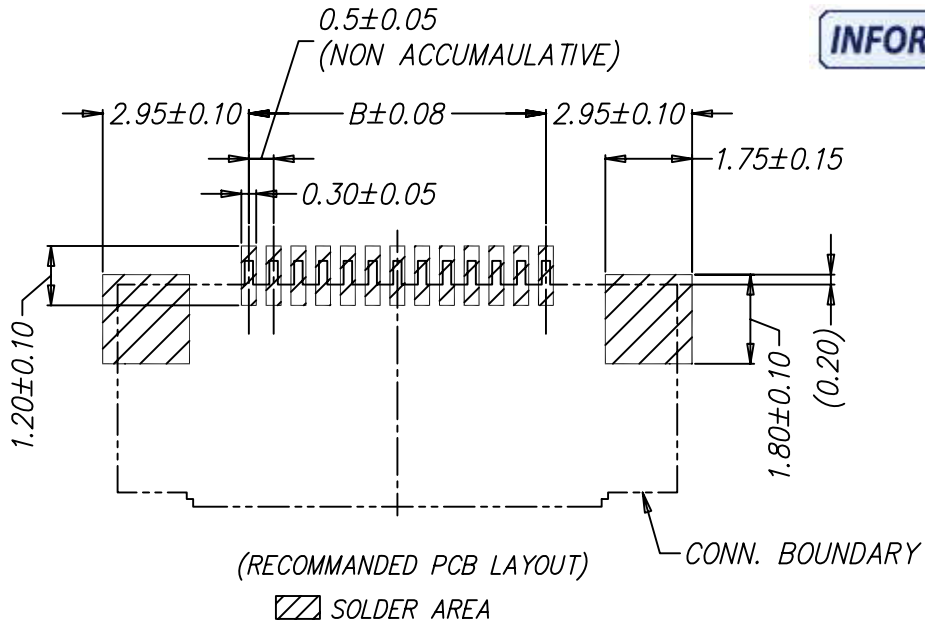
UNICORN
 ELECTRONICS
 COMPONENTS

TITLE: 0.5 FPC CONN.
 LOWER CONTACT EASY ON
 SIDE ENTRY SMT SLIM TYPE

DWG NO. EZ01_C	SERIES EZ01	SHEET 1/2
FILE PATH PE\EZ\EZ01\EZ01_CG	REV. G	

REV.	DESCRIPTION	DATE	DRAWN	CHECK	APPROVE
F	ECN95031	07/13/06'	Denice	Ren	Peter
G	ECN98011	05/05/09'	Denice	Ren	Peter

INFORMATION ONLY



APPLICABLE FFC
RECOMMENDED DIMENSION

TABLE OF DIM.

POS.	A	B	C
4	6.95	1.50	2.55
5	7.45	2.00	3.05
6	7.95	2.50	3.55
7	8.45	3.00	4.05
8	8.95	3.50	4.55
9	9.45	4.00	5.05
10	9.95	4.50	5.55
11	10.45	5.00	6.05
12	10.95	5.50	6.55
13	11.45	6.00	7.05
14	11.95	6.50	7.55
15	12.45	7.00	8.05
16	12.95	7.50	8.55
17	13.45	8.00	9.05
18	13.95	8.50	9.55
19	14.45	9.00	10.05
20	14.95	9.50	10.55
21	15.45	10.00	11.05
22	15.95	10.50	11.55
23	16.45	11.00	12.05
24	16.95	11.50	12.55
25	17.45	12.00	13.05
26	17.95	12.50	13.55
27	18.45	13.00	14.05
28	18.95	13.50	14.55
29	19.45	14.00	15.05
30	19.95	14.50	15.55
31	20.45	15.00	16.05
32	20.95	15.50	16.55
33	21.45	16.00	17.05
34	21.95	16.50	17.55
35	22.45	17.00	18.05



TOLERANCE
(UNLESS SPECIFIED)

0.0	±0.35
0.00	±0.20
0.000	±0.XX



UNICORN
ELECTRONICS
COMPONENTS

TITLE:
0.5 FPC CONN.
LOWER CONTACT EASY ON
SIDE ENTRY SMT SLIM TYPE

DWG NO. EZ01_C	SERIES EZ01	SHEET 2/2
FILE PATH PE\EZ\EZ01\EZ01_CG	REV. G	