

CUSTOMER DRAWING

REV.	DESCRIPTION	DATE	DRAWN	CHECK	APPROVE
C	ECN 97027	08/29/08'	Denice	Ren	Peter
D	ECN 97034	10/01/08'	Denice	Ren	Peter

ORDERING INFORMATION

EZ44 OXX H TX 2 X

① ② ③ ④ ⑤ ⑥

① PRODUCT SERIES

0.5mm FPC Conn.
Lower Contact Easy On
Side Entry SMT Type

② NUMBER OF CONTACTS

4 ~ 60

③ INSULATOR TYPE

BLANK: NON-HALOGEN FREE
H: HALOGEN FREE

④ CONTACT PLATING

TF: Lead Free Bright Plated
(Under 90 PPM)
TF1: Lead Free Matted Plated
(Under 90 PPM)
G21: AU(3u") Plated
G26: AU(1u") Plated

⑤ PACKING METHOD

2: Tube
3: Tape/Reel

⑥ BOM CODE

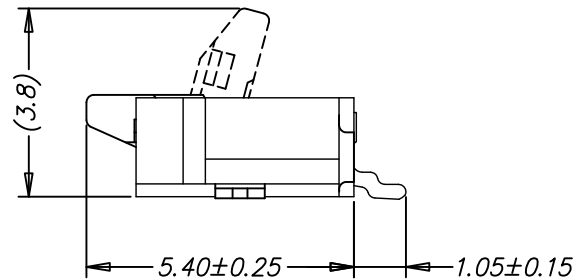
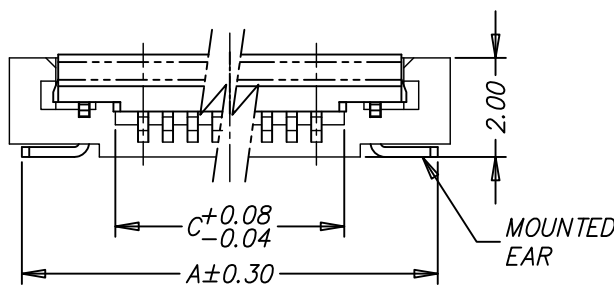
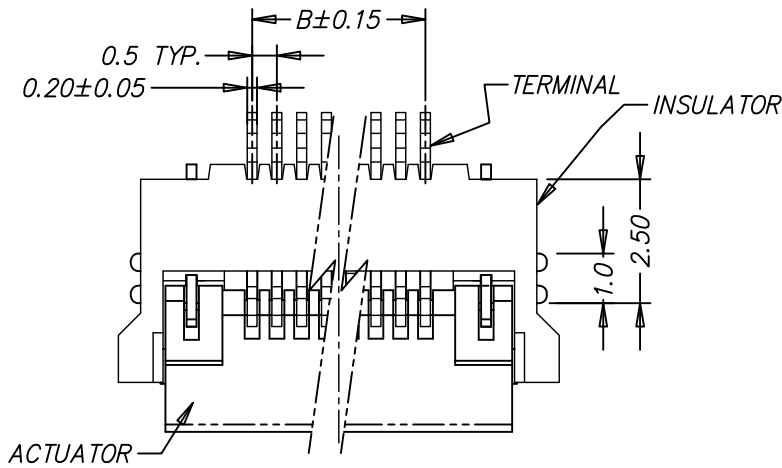
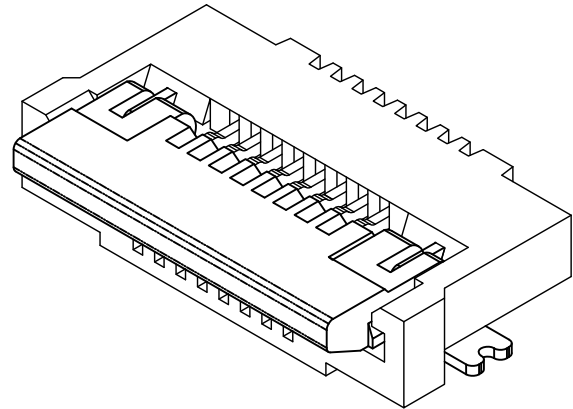
IDENTIFY BY UNICORN

PERFORMANCE CHARACTERISTICS

Operating Voltage: 50V AC Max.
Current Rating: 0.5 Amp Max.
Contact Resistance: 20 mΩ Max.
Insulation Resistance: 50 MΩ Min.
Dielectric Withstanding Voltage: 250V AC/minute
Operating Temperature: -20°C TO +85°C
Accommodated FFC/FPC Thickness: 0.30±0.03 mm

MATERIAL

Insulator: High Temperature Thermoplastic;UL94V-0 Rated
Actuator: High Temperature Thermoplastic;UL94V-0 Rated
Terminal: Copper Alloy
ME: Copper Alloy
Plating: See ordering information



TOLERANCE (UNLESS SPECIFIED)

0.0	±0.35
0.00	±0.20
0.000	±0.XX



UNICORN
ELECTRONICS
COMPONENTS

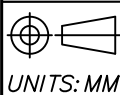
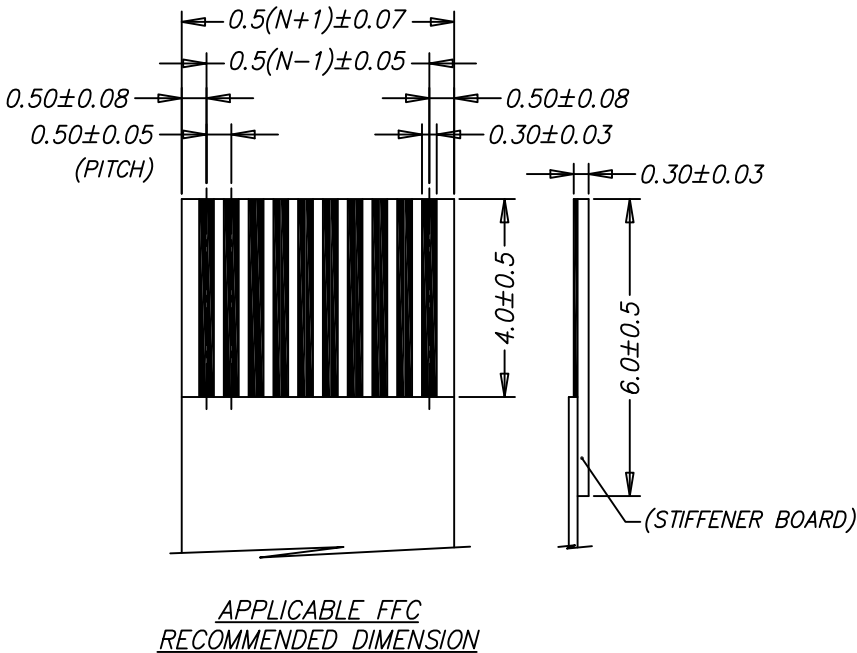
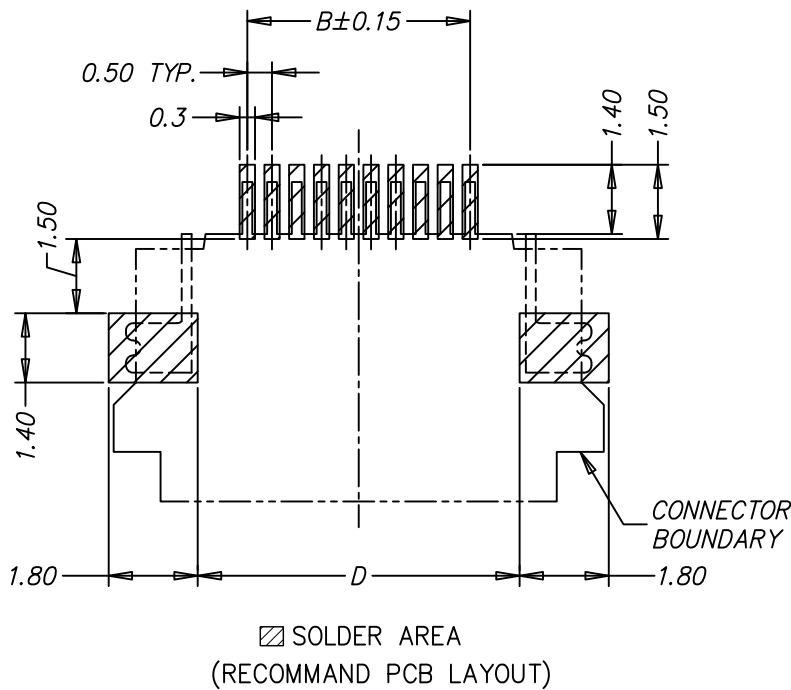
TITLE:
0.5 FPC CONN.
Lower Contact Easy On
Side Entry SMT Type

DWG NO. EZ44_C	SERIES EZ	SHEET 1/2
FILE PATH PD\EZ\EZ44\EZ44_CD		REV. D

REV.	DESCRIPTION	DATE	DRAWN	CHECK	APPROVE
C	ECN 97027	08/29/08'	Denice	Ren	Peter
D	ECN 97034	10/01/08'	Denice	Ren	Peter

TABLE OF DIMENSION

No. OF CONTACTS	A	B	C	D
4P	6.40	1.50	2.62	3.50
5P	6.90	2.00	3.12	4.00
6P	7.40	2.50	3.62	4.50
7P	7.90	3.00	4.12	5.00
8P	8.40	3.50	4.62	5.50
9P	8.90	4.00	5.12	6.00
10P	9.40	4.50	5.62	6.50
11P	9.90	5.00	6.12	7.00
12P	10.40	5.50	6.62	7.50
13P	10.90	6.00	7.12	8.00
14P	11.40	6.50	7.62	8.50
15P	11.90	7.00	8.12	9.00
16P	12.40	7.50	8.62	9.50
17P	12.90	8.00	9.12	10.00
18P	13.40	8.50	9.62	10.50
19P	13.90	9.00	10.12	11.00
20P	14.40	9.50	10.62	11.50
21P	14.90	10.00	11.12	12.00
22P	15.40	10.50	11.62	12.50
23P	15.90	11.00	12.12	13.00
24P	16.40	11.50	12.62	13.50
25P	16.90	12.00	13.12	14.00
26P	17.40	12.50	13.62	14.50
27P	17.90	13.00	14.12	15.00
28P	18.40	13.50	14.62	15.50
29P	18.90	14.00	15.12	16.00
30P	19.40	14.50	15.62	16.50
31P	19.90	15.00	16.12	17.00
32P	20.40	15.50	16.62	17.50
33P	20.90	16.00	17.12	18.00
34P	21.40	16.50	17.62	18.50
35P	21.90	17.00	18.12	19.00
36P	22.40	17.50	18.62	19.50
37P	22.90	18.00	19.12	20.00
38P	23.40	18.50	19.62	20.50
39P	23.90	19.00	20.12	21.00
40P	24.40	19.50	20.62	21.50
41P	24.90	20.00	21.12	22.00
42P	25.40	20.50	21.62	22.50
43P	25.90	21.00	22.12	23.00
44P	26.40	21.50	22.62	23.50
45P	26.90	22.00	23.12	24.00
46P	27.40	22.50	23.62	24.50
47P	27.90	23.00	24.12	25.00
48P	28.40	23.50	24.62	25.50
49P	28.90	24.00	25.12	26.00
50P	29.40	24.50	25.62	26.50
51P	29.90	25.00	26.12	27.00
52P	30.40	25.50	26.62	27.50
53P	30.90	26.00	27.12	28.00
54P	31.40	26.50	27.62	28.50
55P	31.90	27.00	28.12	29.00
56P	32.40	27.50	28.62	29.50
57P	32.90	28.00	29.12	30.00
58P	33.40	28.50	29.62	30.50
59P	33.90	29.00	30.12	31.00
60P	34.40	29.50	30.62	31.50



TOLERANCE (UNLESS SPECIFIED)

0.0	±0.35
0.00	±0.20
0.000	±0.XX



UNICORN
ELECTRONICS
COMPONENTS

TITLE:
0.5 FPC CONN.
Lower Contact Easy On
Side Entry SMT Type

DWG NO. EZ44_C	SERIES EZ	SHEET 2/2
FILE PATH PD\EZ\EZ44\EZ44_CD	REV. D	