

LM315 Series

2.0mm Pitch Wafer Dual Row Vertical Dip Type

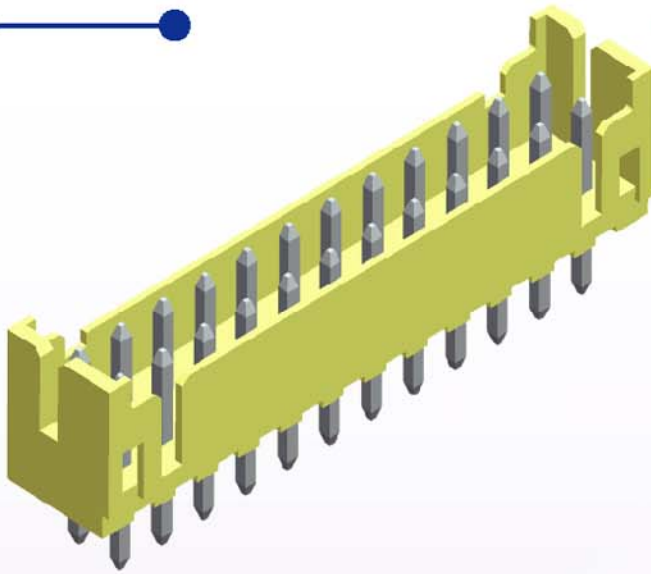
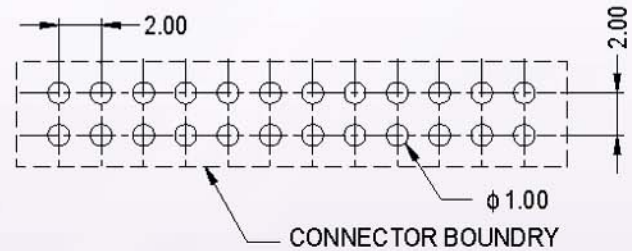
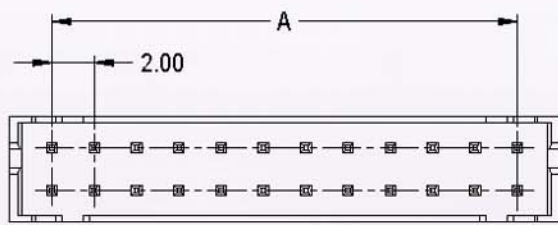
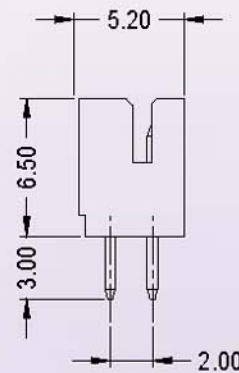
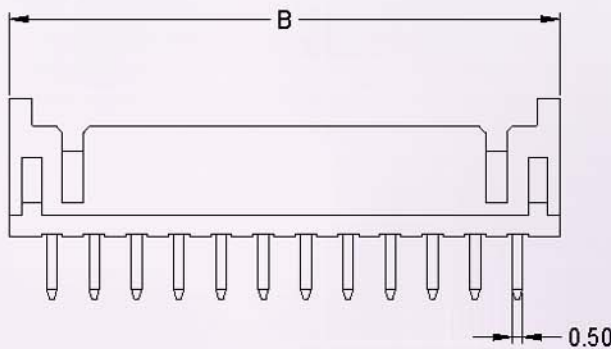


TABLE OF DIM.

POS.	Dimensions	
	A	B
03X2	4.00	8.00
04X2	6.00	10.00
05X2	8.00	12.00
06X2	10.00	14.00
07X2	12.00	16.00
08X2	14.00	18.00
09X2	16.00	20.00
10X2	18.00	22.00
11X2	20.00	24.00
12X2	22.00	26.00
13X2	24.00	28.00
14X2	26.00	30.00
15X2	28.00	32.00
16X2	30.00	34.00
17X2	32.00	36.00



P.C.B PATTERN DIMENSION



Ordering Information

LM315

Product Series

12X2

Number OF Contacts

03X2 TO 17X2

TX

Contact Plating

T0: Tin/Lead Plated
TF1: Lead Free Matte Plated (under 90ppm)

1

Packing Method

1:Tray