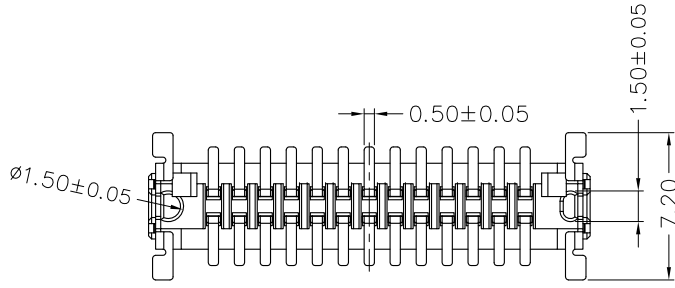
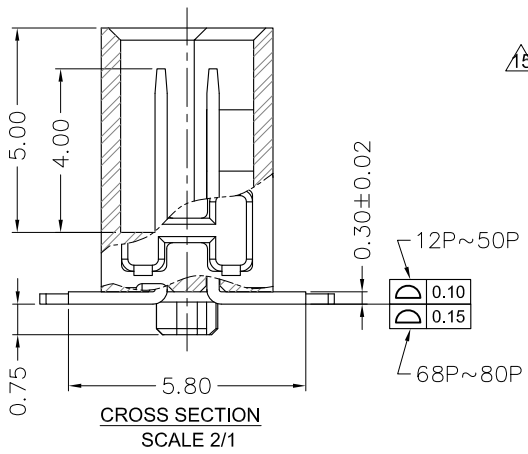


< ORDERING INFORMATION >

SERIES NO. **SMC04 XX X XXX 00 2** PACKAGE
 1.27 SMC Male Connector Vertical SMT Type
 CONTACT POSITION SEE DIM-TABLE
 STANDING HEIGHT A: 6.75 B: 8.25 C: 9.85
 CONTACT PLATING 100: Full Gold Flash (1μ" Min.) Plated, 600: Selective Gold Flash (1μ" Min.) Plated, 605: 5μ" selective Gold Plated, 630: 30μ" selective Gold Plated

DIM-TABLE

PIN NO.	DIM A	DIM B	DIM C	DIM D	DIM E	DIM F	DIM G
12	12.70	8.57	6.35	9.57	10.77	11.34	10.37
16	15.24	11.11	8.89	12.11	13.31	13.88	12.91
20	17.78	13.65	11.43	14.65	15.85	16.42	15.45
24	20.32	16.19	13.97	17.19	18.39	18.96	17.99
26	21.59	17.46	15.24	18.46	19.66	20.23	19.26
30	24.13	20.00	17.78	21.00	22.20	22.77	21.80
32	25.40	21.27	19.05	22.27	23.47	24.04	23.07
40	30.48	26.35	24.13	27.35	28.55	29.12	28.15
50	36.83	32.70	30.48	33.70	34.90	35.47	34.50
68	48.26	44.13	41.91	45.13	46.33	46.90	45.93
80	55.88	51.75	49.53	52.75	53.95	54.52	53.55



△3	Add Plated Option	2018,03,06
△4	Add PIN NO.	2017,12,21
△1	New Version	2014,08,21

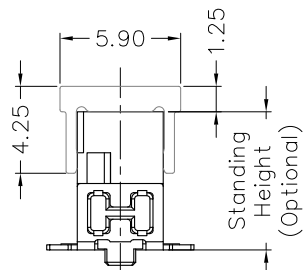
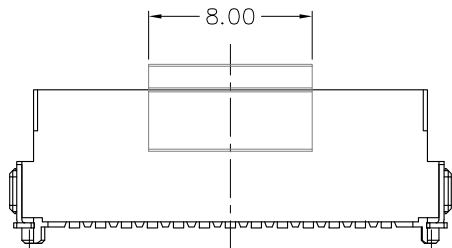
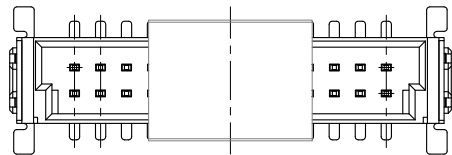
REV.	DESCRIPTION	DATE
DR. Red	CHK. Shun	APP. Peter

UNITS: MM
 TOLERANCE (UNLESS SPECIFIED)
 0.0 ±0.35
 0.00 ±0.20
 0.000 ±0.10
 ANG. ±2°



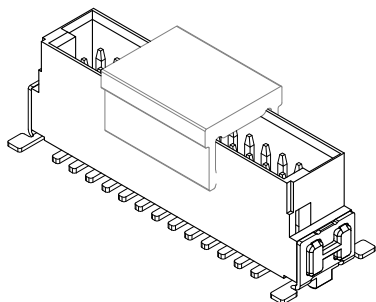
TITLE: 1.27 SMC Male Connector Vertical SMT Type

DWG NO. SMC04_P	SHEET 1 / 2
FILE PATH SMC\1.27SMC04_P15	REV. 15

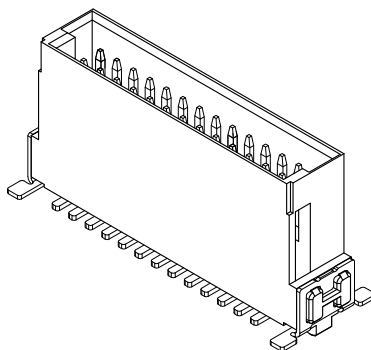


Specification

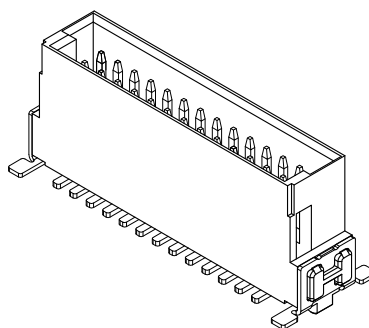
Insulator Material: High Temp. Thermoplastic, UL94V-0.
 Contact Material: Phosphor Bronze.
 Board Lock Material: Brass.
 Contact Plating: Au (1 μ " / 5 μ " / 30 μ " Min.) on Contact Area.
 Au (1 μ " Min.) or Sn (100 μ " Min.) on Soldertail.
 Nickle (Contact - 80 μ " Min. / Soldertail - 50 μ " Min.)
 Sn(100 μ " Min.) over Nickel (40 μ " Min.)
 Board Lock Plating
 Current Resistance: 1.2A Max.
 Contact Resistance: 25 Milliohms Max.
 Insulator Resistance: 1000 Megohms Min.
 Dielectric Withstanding: 500V AC for 1 Minute.
 Operating Temperature: -55°C ~ +125°C.
 Max. Processing Temp.: 230°C for 30~60 seconds.
 260°C for 10 seconds.
 Durability Test: 500 mating cycles
 Insertion Force: 0.8N Max. (Per Contact)
 Withdrawal Force: 0.4N Min. (Per Contact)



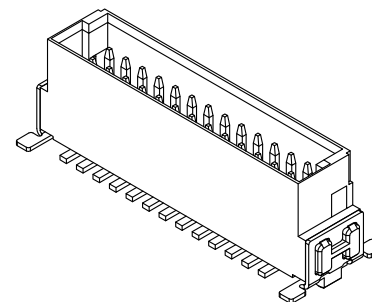
STANDING HEIGHT:A



STANDING HEIGHT: C (9.85)



STANDING HEIGHT: B (8.25)



STANDING HEIGHT: A (6.75)

3	Add Plated Option	2018,03,06
4	Add PIN NO.	2017,12,21
1	New Version	2014,08,21

REV.	DESCRIPTION	DATE
DR. Red	CHK. Shun	APP. Peter



TOLERANCE
(UNLESS SPECIFIED)

0.0	±0.35
0.00	±0.20
0.000	±0.10
ANG.	±2°



TITLE:
**1.27 SMC Male Connector
 Vertical SMT Type**

DWG NO. SMC04_P	SHEET 2 / 2
FILE PATH SMC1.27\SMC04_P15	REV. 15