

△9	變更尺寸公差	2017.10.27
△8	變更卡槽尺寸公差及加入管控	2017.08.30
△1	New Version	2016.06.28

REV.	DESCRIPTION	DATE
DR. Shun	CHK. Karl	APP. Peter

UNITS: MM

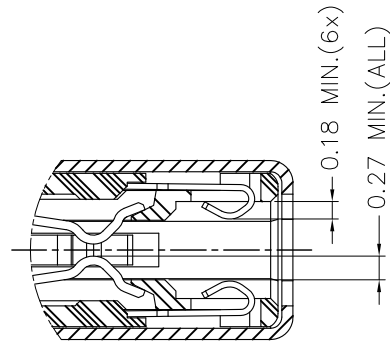
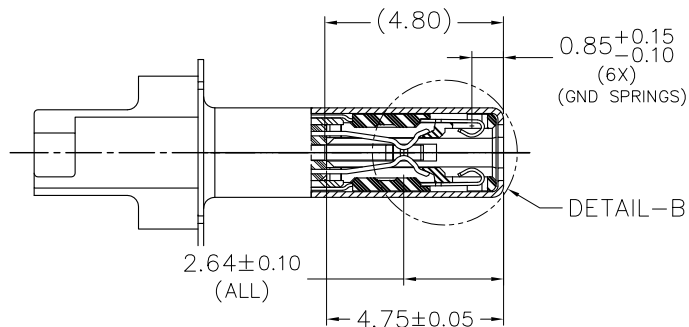
TOLERANCE (UNLESS SPECIFIED)	
0.0	±0.20
0.00	±0.10
0.000	±0.05
ANG.	±2°



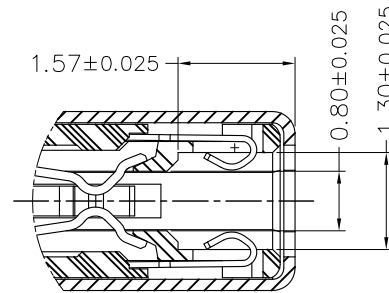
TITLE: USB 3.1 Type C Plug
12+10 Position Connector

DWG NO. UTC131-022_P
FILE PATH USB/UTC131-022_P9

SHEET 1 / 2
REV. 9



DETAIL-B (VIEW-1)
SCALE 2:1



DETAIL-B (VIEW-2)
SCALE 2:1

NOTE

1. MATERIAL

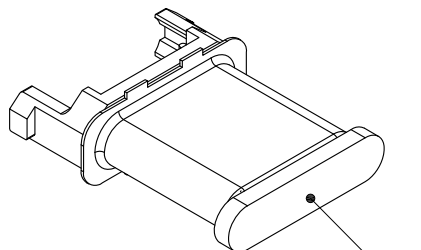
- 1.1 HOUSING: LCP+30% GF(COLOR: BLACK); UL 94V-0
- 1.2 LATCH PLATE: STAINLESS; T:0.40mm
- 1.3 TERMINAL: COPPER ALLOY; T:0.12mm
- 1.4 GND SPRING : STAINLESS; T:0.08mm
- 1.5 FRONT SHELL: STAINLESS; T:0.15mm

2. TERMINAL FINISH

- 2.1 CONTACT AREA: GOLD PLATING (SEE ORDERING INFORMATION)
- 2.2 SOLDER AREA: TIN PLATING 100u"
- 2.3 UNDERPLATE PLATED: NICKEL 80u"

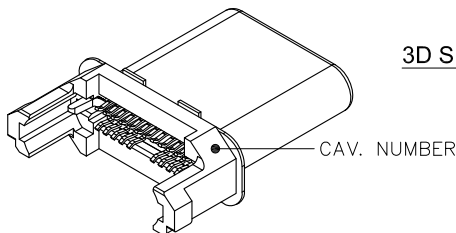
3. SHELL FINISH

NICKEL 50u"MIN; CU 150u" UNDERPLATED



DUST CAP

3D SHOWN



CAV. NUMBER

特性功能:

1. 電氣性能

- 1-1).低功率接觸阻抗<Low level contact resistance>:
初始40mΩ最大.(20mV,100mA).測試條件: EIA364-23b
- 1-2).耐高壓<Dielectric withstanding Voltage>:100V AC.
(測試1分鐘,漏電流0.5mA).測試條件: EIA 364-20
- 1-3) 絕緣阻抗<Insulation Resistance>:100MΩ 最少.
(DC500V,測試2分鐘).測試條件:EIA364-21C
- 1-4) 連接器特性阻抗<Differential Impedance>:85±9Ω

2. 機械性能:(EIA364-13)

- 2-1).插入力<Insertion force> :5N~20N.
- 2-2).拔出力<Extraction force> :8N~20N.
(速度:每分鐘最快行程 12.5mm)
- 2-3).耐久性(Durability):1萬次插拔循環.測試條件:
速度:每小時500±50次,每2500次插拔後產品翻轉180度.

3. 環境性能

可焊性測試<Solderability>.測試條件: EIA 364-52
溫度:25°C +/-5°C,浸錫5s.表面最少95%範圍沾錫飽滿

4. 前鐵殼與塑膠主體保持力標準:

過爐前標準: 主體與前鐵殼松脫力: 最小0.6Kg
過爐後要求達到的標準:
測試條件: 耐溫255±10°C,時間: 5分鐘;
冷卻後主體與前鐵殼松脫力: 最小0.2Kg.

- 5. 鐵殼無壓傷,變形,油污等.
- 6. 鹽霧測試:須通過氫氧化鈉濃度5%測試8小時以上.

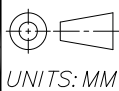
< ORDERING INFORMATION >

UTC131 022 GXF1 1

SERIES NO. PACKAGE
USB 3.1 Type C Plug 1: TRAY
(SEMI Finished Product)

CONTACT POS. CONTACT PLATING
12P+10P G11F1: GOLD FLASH
G6F1: GOLD 15u"
G7F1: GOLD 30u"

4		變更尺寸公差	2017.10.27
		變更卡槽尺寸公差及加入管控	2017.08.30
		New Version	2016.06.28
	REV.	DESCRIPTION	DATE
DR.	Shun	CHK. Karl	APP. Peter



TOLERANCE
(UNLESS SPECIFIED)
0.0 ±0.20
0.00 ±0.10
0.000 ±0.05
ANG. ±2°



UNICORN
ELECTRONICS
COMPONENTS

TITLE:
USB 3.1 Type C Plug
12+10 Position Connector

DWG NO.
UTC131-022_P
FILE PATH
USB/UTC131-022_P9

SHEET
2 / 2
REV.
9