

# LM003 Series

## 1.0mm Pitch Wafer Vertical SMT Type

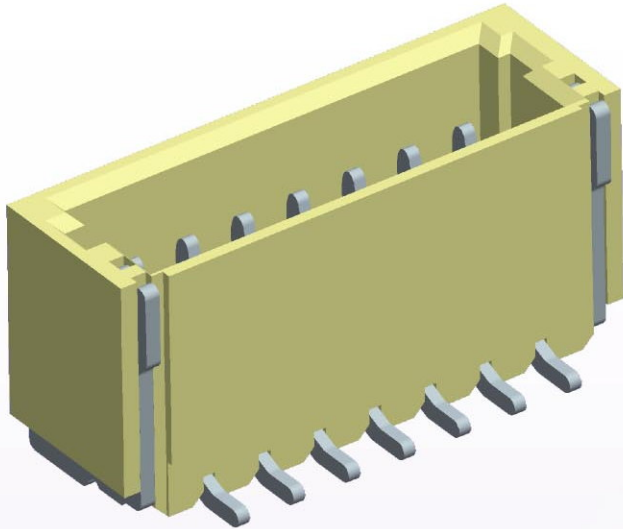
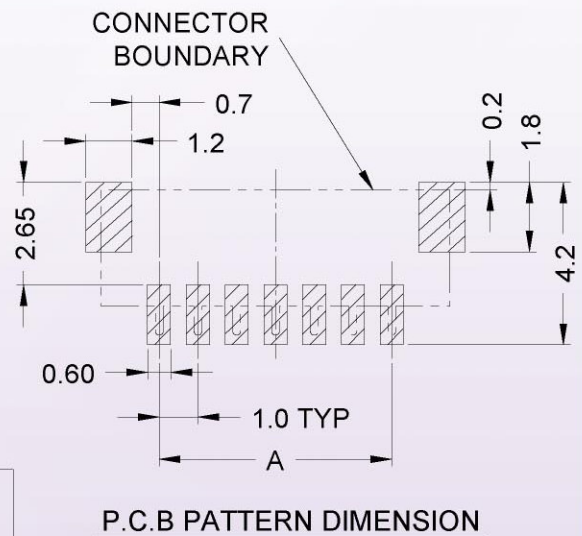
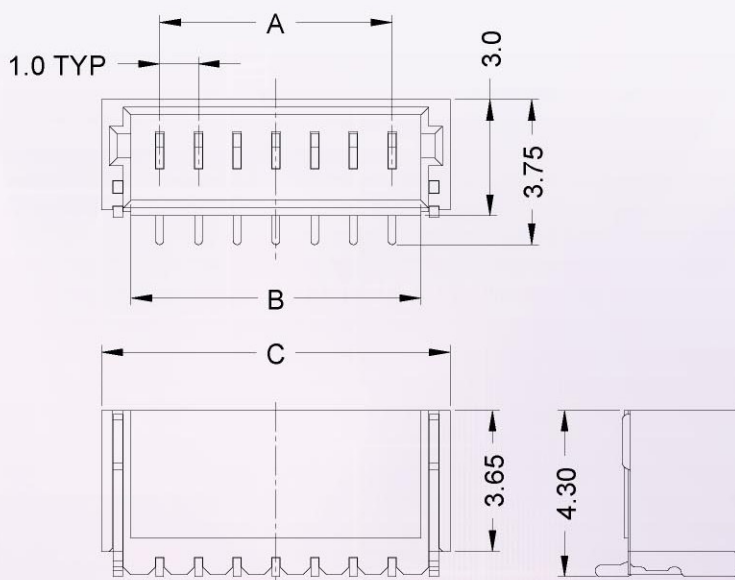


TABLE OF DIM. Unit: mm

POS.	A	B	C
2	1.00	2.48	4.00
3	2.00	3.48	5.00
4	3.00	4.48	6.00
5	4.00	5.48	7.00
6	5.00	6.48	8.00
7	6.00	7.48	9.00
8	7.00	8.48	10.00
9	8.00	9.48	11.00
10	9.00	10.48	12.00
11	10.00	11.48	13.00
12	11.00	12.48	14.00
13	12.00	13.48	15.00
14	13.00	14.48	16.00
15	14.00	15.48	17.00



### Ordering Information

LM003

Product Series

007

Number OF Contacts

2 TO 20

TX

Contact Plating

T0: Tin/Lead Plated  
TF: Lead Free Plated (under 90 ppm)

1

Packing Method

1: Tray  
2: Tube  
3: Tape/Reel