

LM104 Series

1.25mm Pitch Wafer Vertical SMT Type

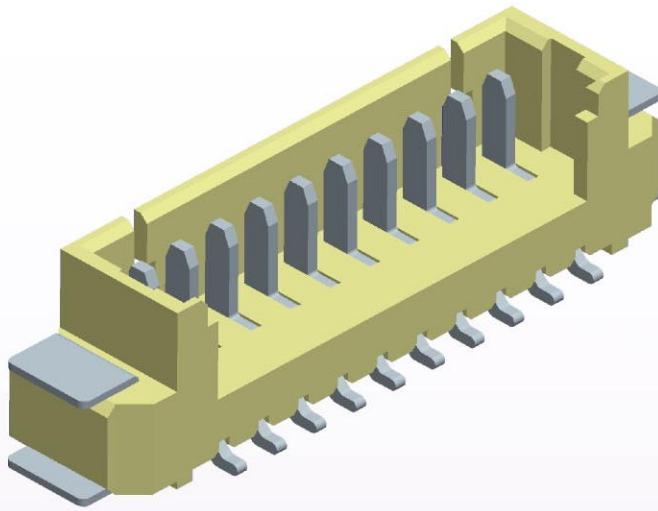
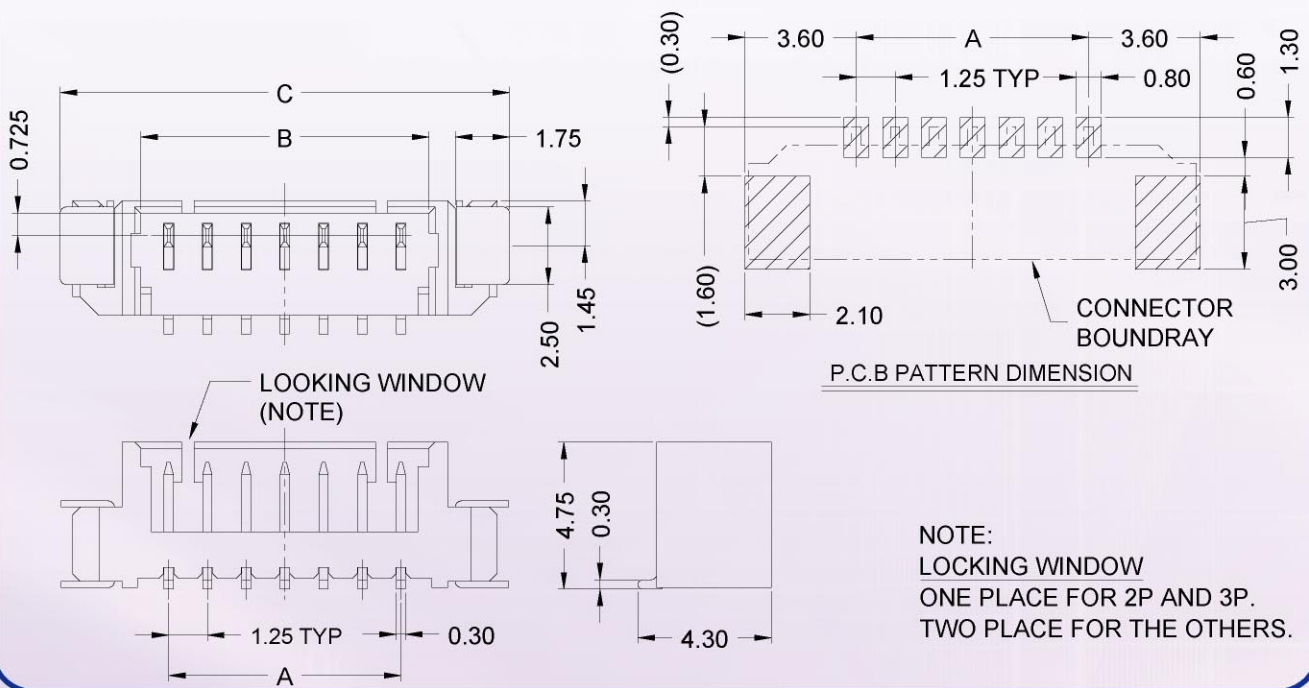


TABLE OF DIM. Unit: mm

POS.	A	B	C
2	1.25	3.05	8.25
3	2.50	4.30	9.50
4	3.75	5.55	10.75
5	5.00	6.80	12.00
6	6.25	8.05	13.25
7	7.50	9.30	14.50
8	8.75	10.55	15.75
9	10.00	11.80	17.00
10	11.25	13.05	18.25
11	12.50	14.30	19.50
12	13.75	15.55	20.75
13	15.00	16.80	22.00
14	16.25	18.05	23.25
15	17.50	19.30	24.50



Ordering Information

LM104

Product Series

009

Number OF Contacts

2 TO 15

TX

Contact Plating

T0: Tin/Lead Plated
TF: Lead Free Plated (under 90 ppm)

2

Packing Method

2:Tube
3:Tape/Reel