

LM113P Series

1.25mm Pitch Wafer Low Profile R/A SMT Type

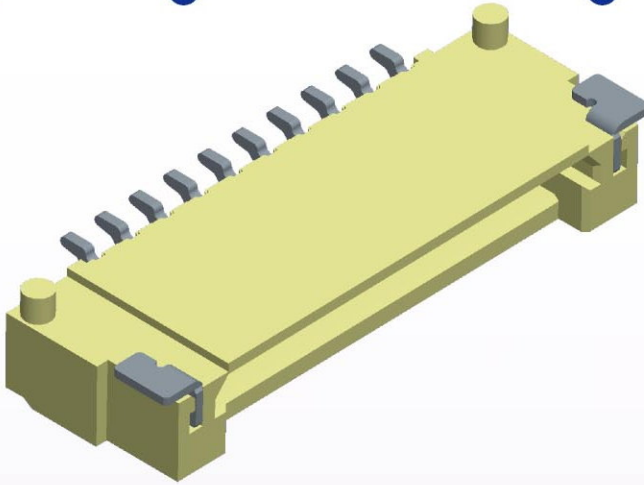
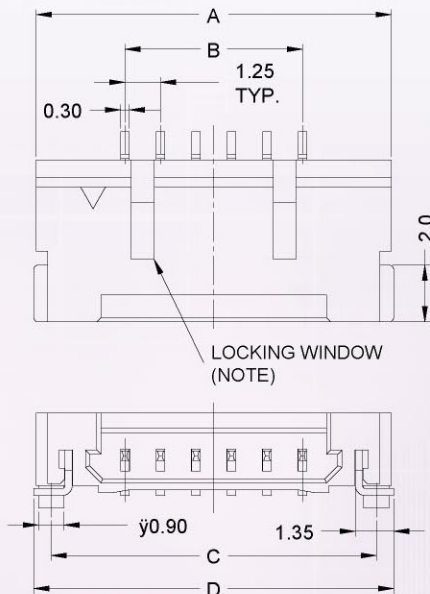
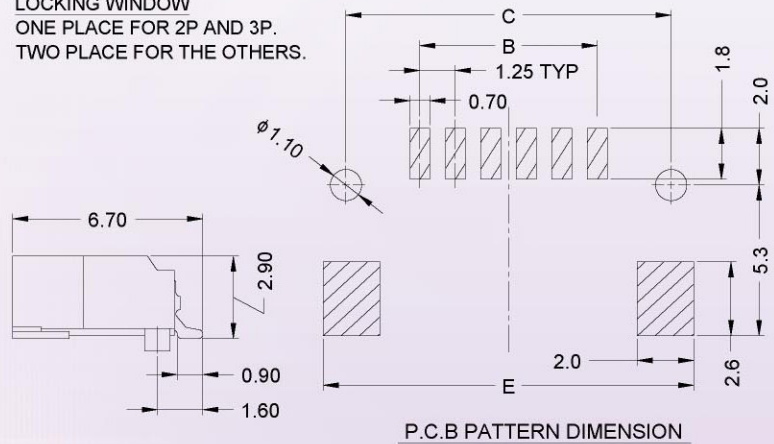


TABLE OF DIMENSION Unit : mm

POS.	DIMENSION				
	A	B	C	D	E
2	7.50	1.25	6.45	7.70	8.05
3	8.75	2.50	7.70	8.95	9.30
4	10.00	3.75	8.95	10.20	10.55
5	11.25	5.00	10.20	11.45	11.80
6	12.50	6.25	11.45	12.70	13.05
7	13.75	7.50	12.70	13.95	14.30
8	15.00	8.75	13.95	15.20	15.55
9	16.25	10.00	15.20	16.45	16.80
10	17.50	11.25	16.45	17.70	18.05
11	18.75	12.50	17.70	18.95	19.30
12	20.00	13.75	18.95	20.20	20.55
13	21.25	15.00	20.20	21.45	21.80
14	22.50	16.25	21.45	22.70	23.05
15	23.75	17.50	22.70	23.95	24.30
16	25.00	18.75	23.95	25.20	25.55
17	26.25	20.00	25.20	26.45	26.80
18	27.50	21.25	26.45	27.70	28.05
19	28.75	22.50	27.70	28.95	29.30
20	30.00	23.75	28.95	30.20	30.55
21	31.25	25.00	30.20	31.45	31.80
22	32.50	26.25	31.45	32.70	33.05
23	33.75	27.50	32.70	33.95	34.30
24	35.00	28.75	33.95	35.20	35.55
25	36.25	30.00	35.20	36.45	36.80
26	37.50	31.25	36.45	37.70	38.05
27	38.75	32.50	37.70	38.95	39.30
28	40.00	33.75	38.95	40.20	40.55
29	41.25	35.00	40.20	41.45	41.80
30	42.50	36.25	41.45	42.70	43.05



NOTE:
LOCKING WINDOW
ONE PLACE FOR 2P AND 3P.
TWO PLACE FOR THE OTHERS.



Ordering Information

LM113P

Product Series

LM113P: With Post
LM113 : Without Post

010

Number OF Contacts

2 TO 30

TX

Contact Plating

T0: Tin/Lead Plated
TF: Lead Free Plated (under 90 ppm)

2

Packing Method

1:Tray
2:Tube
3:Tape/Reel