

# LM211 Series

## 1.5mm Pitch Wafer Vertical SMT Type

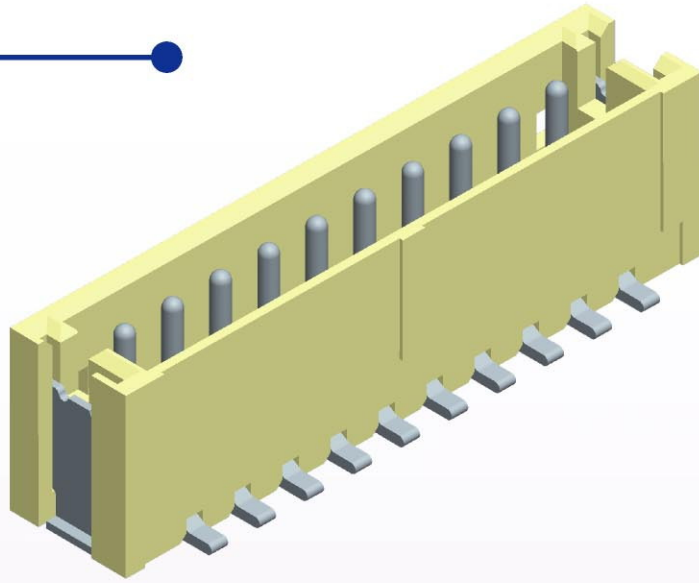
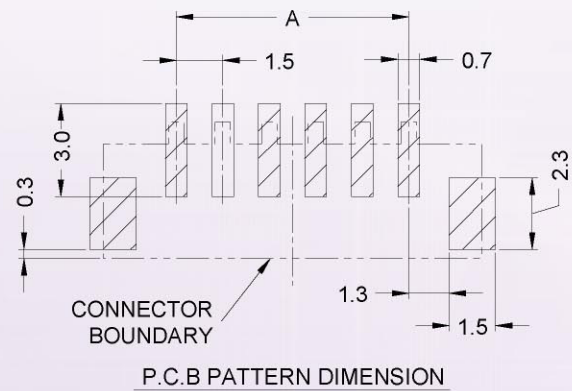
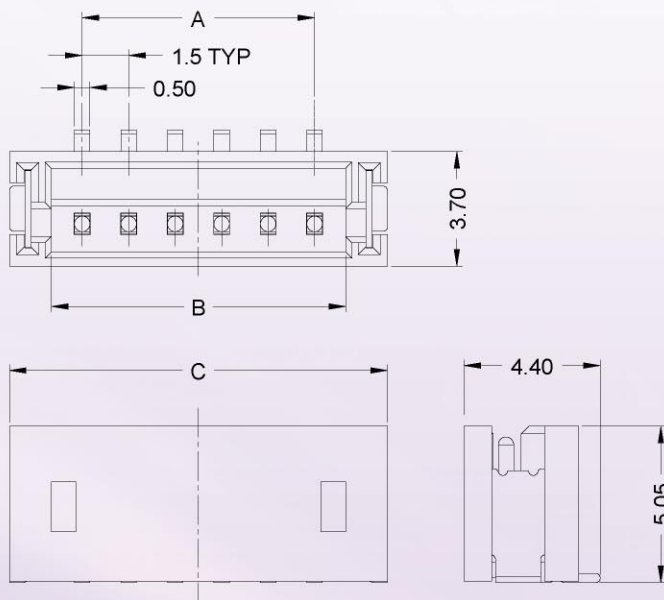


TABLE OF DIM. Unit: mm

POS.	A	B	C
2	1.50	3.60	6.00
3	3.00	5.10	7.50
4	4.50	6.60	9.00
5	6.00	8.10	10.50
6	7.50	9.60	12.00
7	9.00	11.10	13.50
8	10.50	12.60	15.00
9	12.00	14.10	16.50
10	13.50	15.60	18.00
11	15.00	17.10	19.50
12	16.50	18.60	21.00
13	18.00	20.10	22.50
14	19.50	21.60	24.00
15	21.00	23.10	25.50
20	28.50	30.60	33.00



### Ordering Information

LM211

Product Series

010

Number OF Contacts

2 TO 20

TX

Contact Plating

T0: Tin/Lead Plated  
TF: Lead Free Plated (under 90 ppm)

3

Packing Method

2: Tube  
3: Tape/Reel