

NOTE:

1. MATERIAL
See TABLE I
2. ELECTRICAL
Rating Current: 7A
Rating Voltage: 20V
Insulator Resistance: 100M ohms Min.
Withstanding Voltage: 100 VAC / minute
Contact Resistance: 40m ohms Max.(Initial)
50m ohms Max.(After Test)
Operating Temperature: -25°C to +85°C
3. MECHANICAL
Mating Force: 5N~20N
Unmating Force: 8N~20N (Initial)
6N~20N (After Durability Test)
Durability: 10,000 cycles

< ORDERING INFORMATION >

UTC234 X 16 6XX 3

Connector Series
USB Type-C Receptacle Connector

Package
3: Tape & Reel

For PCB (t)
A: 1.00 (PCB 0.8t)
B: 1.80 (PCB 1.6t)

Plating
600: Selective Gold Flash
(1μ" Min.) Plated.
630: 30μ" Selective Gold Plated.

Contact Pos.
16P

< PIN ASSIGNMENTS >

A1	A4	A5	A6	A7	A8	A9	A12
GND	Vbus	CC1	D+	D-	SBU1	Vbus	GND
GND	Vbus	SBU2	D-	D+	CC2	Vbus	GND
B12	B9	B8	B7	B6	B5	B4	B1

DETAIL-A
SCALE: 2/1

DR.	CHK.	APP.
Shun	Ren	Peter
REV.	DESCRIPTION	DATE
	New Version	2022,05,05



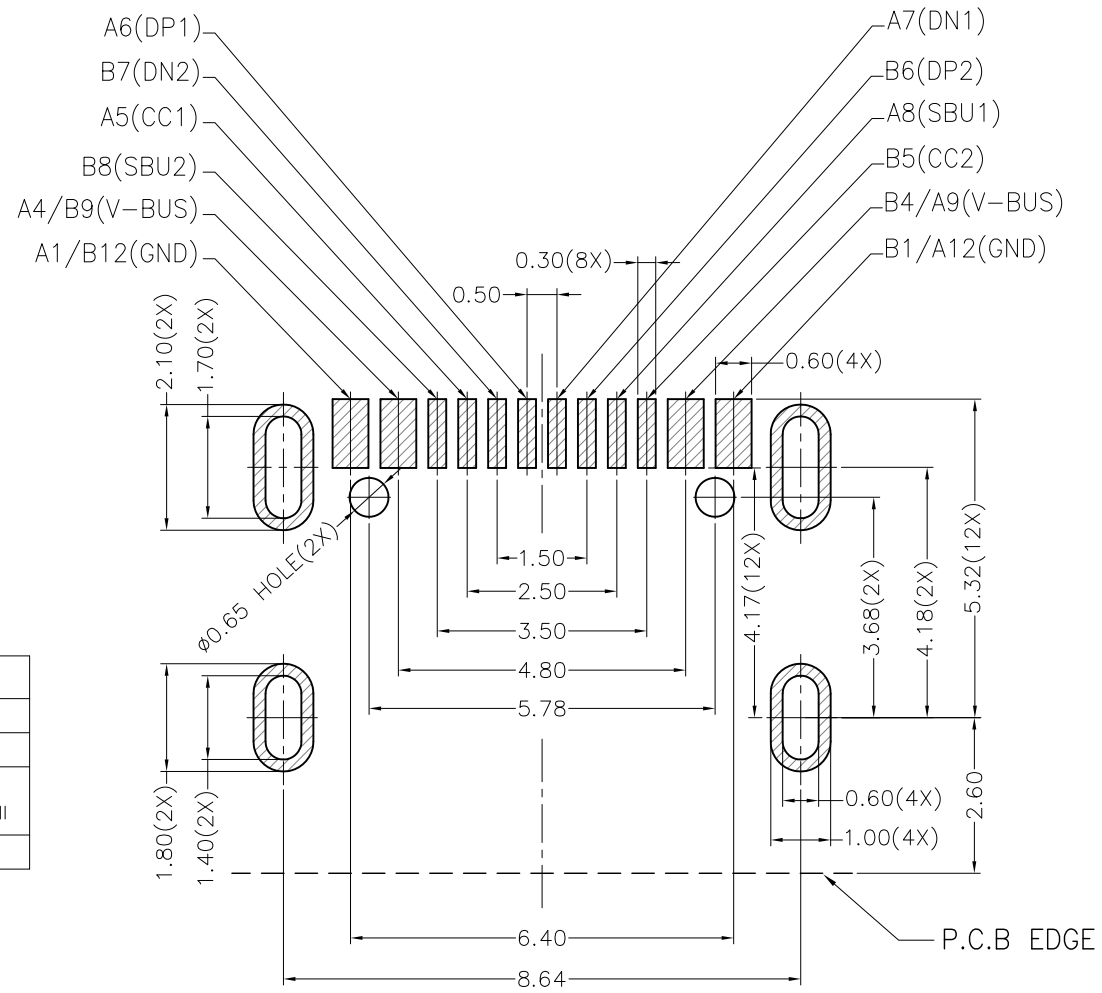
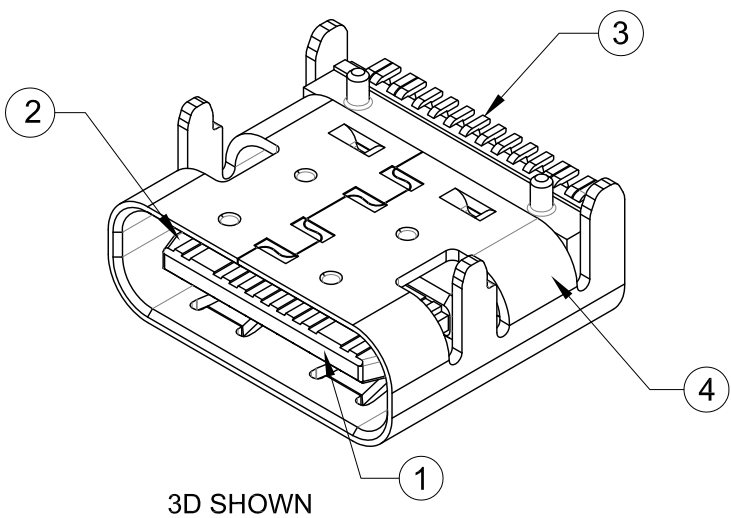
TOLERANCE (UNLESS SPECIFIED)
X.X = ±0.35
X.XX = ±0.20
X.XXX = ±0.10
ANG. = ± 2°



TITLE:
USB 2.0 Type-C Receptacle Connector

DWG NO.
UTC234-C

SHEET
1 / 2
REV.
A



< TABLE I >

ITEM	PARTS NAME	Q'TY	MATERIAL	FINISH/REMARK
1	Housing	1	LCP	Black
2	Middle Plate	1	STAINLESS	Ni: 50μ" Min.
3	Terminal	16	COPPER ALLOY	Contact Area : G/F Or 30μ" Solder Tail: Tin, 50u" Nickel Overall
4	Shell	1	STAINLESS	Ni: 30μ" Min.

RECOMMENDED PCB LAYOUT
(THICKNESS:0.80MM)

REV.	DESCRIPTION	DATE
DR. Shun	CHK. Ren	APP. Peter
New Version		2022,05,05



TOLERANCE
(UNLESS SPECIFIED)

X.X	= ±0.35
X.XX	= ±0.20
X.XXX	= ±0.10
ANG.	= ± 2'



TITLE: USB 2.0 Type-C Receptacle Connector

DWG NO. UTC234-C

SHEET 2 / 2
REV. A