

Specification

Insulator Material: High Temp. Thermoplastic, UL94V-0.
 Contact Material: High Conductivity Copper
 Board Lock Material: Brass
 Contact Plating: Au on Contact Area
 Sn (100 μ " Min.) on Solder Tail
 Nickel (Contact - 80 μ " Min. / Solder Tail - 50 μ " Min.)
 Sn(100 μ " Min.) over Nickel (40 μ " Min.)
 Board Lock Plating: Sn(100 μ " Min.)
 Current Rating: 5A Max.
 Contact Resistance: 25 Milliohms Max.
 Insulator Resistance: 1000 Megohms Min.
 Dielectric Withstanding: 500V AC for 1 Minute
 Operating Temperature: -55 $^{\circ}$ C ~ +125 $^{\circ}$ C
 Max. Processing Temp.: 230 $^{\circ}$ C for 30~60 seconds
 260 $^{\circ}$ C for 10 seconds

< ORDERING INFORMATION >

SMC05 XX XXX 3

SERIES NO. _____
 1.27 SMC Female Connector
 Single Row R/A SMT Type

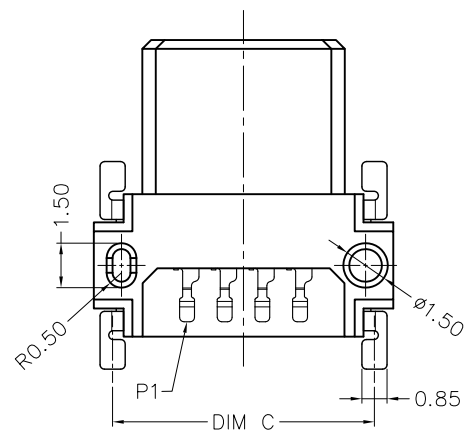
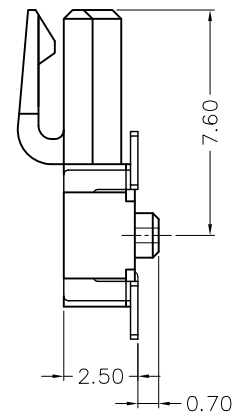
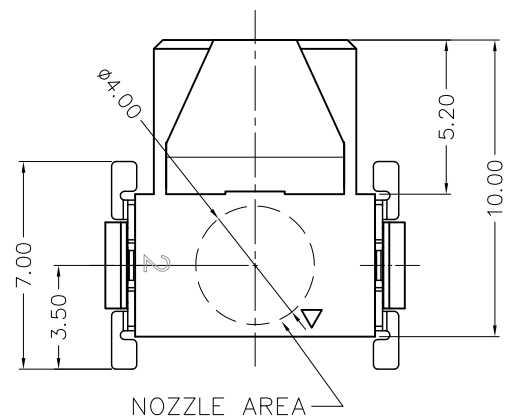
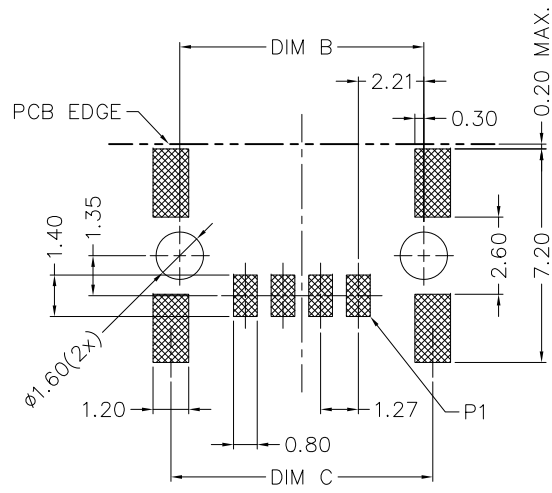
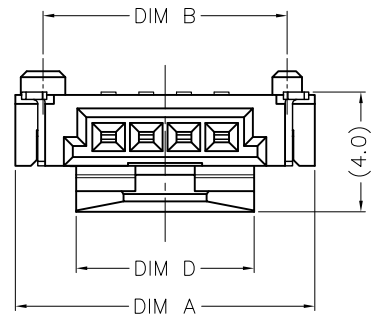
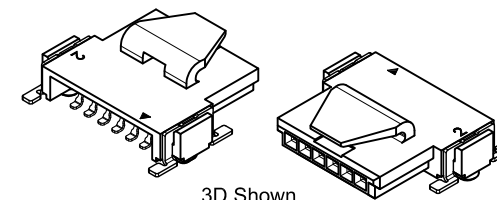
PACKAGE _____
 3: Tape & Reel

CONTACT POSITION _____
 See DIM-TABLE

CONTACT PLATING _____
 600: Selective Gold Flash Plated
 (1 μ " Min.)
 605: 5 μ " selective Gold Plated
 630: 30 μ " selective Gold Plated

DIM-TABLE

PIN NO.	DIM A	DIM B	DIM C	DIM D
02	7.56	5.69	6.29	4.3
03	8.83	6.96	7.56	5.6
04	10.10	8.23	8.83	6.0
06	12.64	10.77	11.37	
08	15.18	13.31	13.91	
10	17.72	15.85	16.45	
12	20.26	18.39	18.99	



REV.	DESCRIPTION	DATE
4	Change Latch Shape	2022,12,01
3	Change Contacts Material	2020,05,04
1	New Version	2019,05,08

DR. Shun	CHK. Ren	APP. Peter
----------	----------	------------

UNITS: MM
 TOLERANCE (UNLESS SPECIFIED)
 0.0 ±0.35
 0.00 ±0.20
 0.000 ±0.10
 ANG. ±2°



TITLE:
1.27 SMC Female Connector
 Single Row Right Angle SMT Type

DWG NO. SMC05-XX_P	SHEET 1 / 1
FILE PATH SMC\1.27\SMC05\SMC05-XX_P4	REV. 4