

< PIN ASSIGNMENTS >

PIN NO.	SIGNAL NAME	PIN NO.	SIGNAL NAME
A1	GND	B12	GND
A2	TX1+	B11	RX1+
A3	TX1-	B10	RX1-
A4	Vbus	B9	Vbus
A5	CC1	B8	SBU2
A6	D+	B7	D-
A7	D-	B6	D+
A7	SBU1	B5	CC2
A9	Vbus	B4	Vbus
A10	RX2-	B3	TX2-
A11	RX2+	B2	TX2+
A12	GND	B1	GND

DR.	Shun	CHK.	Ren	APP.	Peter
REV.	New Version	DATE	2023.03.15		



TOLERANCE (UNLESS SPECIFIED)

X.X	= ±0.25
X.XX	= ±0.15
X.XXX	= ±0.05
ANG.	= ± 2'



TITLE: USB Type C Female Connector Side Entry Waterproof Type

DWG NO. USB313WF-01-P

SHEET 1/2
REV. 1

< TECHNICAL DATA >

1.MATERIL

- @ HOUSING: LCP,UL94V-0, COLOR:BLACK
- @ TERMINAL: COPPER ALLOY (T=0.12MM)
- @ MID PLATE: STAINLESS (T=0.15MM)
- @ GND PLATE: STAINLESS (T=0.1MM)
- @ SHELL: STAINLESS (T=0.3MM & 0.4MM)
- @ RUBBER: SI, COLOR:BLACK

2.PLATING

- @ TERMINAL: Au ON CONTACT AREA (SEE ORDER INFORMATION)
Sn 60μ" MIN ON SOLDER AREA
Ni 50μ" MIN UNDERPLATED OVERALL
- @ SHELL: Ni 50μ" MIN

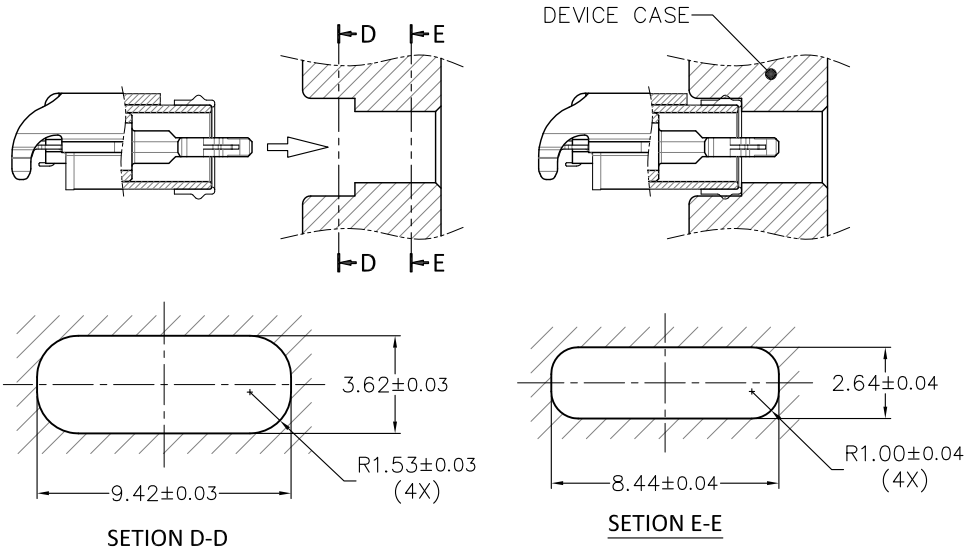
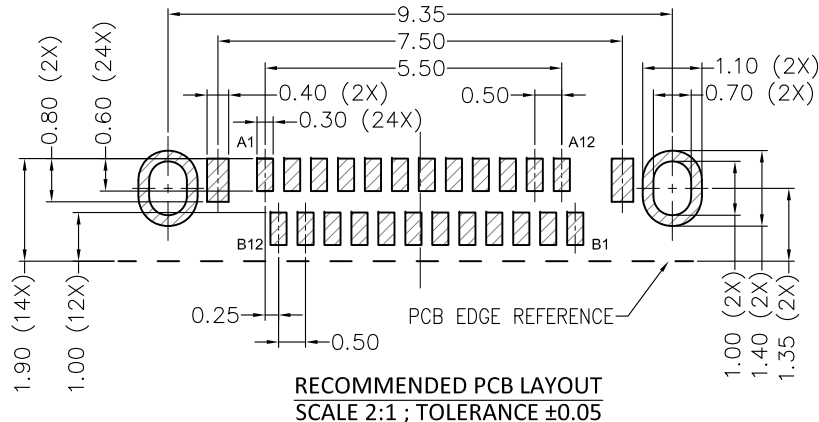
3.ELECTRICAL REQUIREMENTS

- @ CURRENT RATING: 5A
- @ CURRENT VOLTAGE: 20V
- @ CONTACT RESISTANCE: 40mΩ MAX (INITIAL)
50mΩ AFTER TEST.
- @ INSULATION RESISTANCE: 100M OHM MIN
- @ WITHSTANDING VOLTAGE: 100VAC

4.MECHANICAL REQUIREMENTS

- @ MATING FORCE: 5N~20N
- @ UNMATING FORCE: 8N~20N (INITIAL)
6N~20N (AFTER STRESS)
- @ DURABILITY: 10,000 CYCLES
- @ OPERATING TEMPERATURE: -30*~+85*

5.THE WATERPROOF GRADE IS IPX8 (1.5M DEPTH OF WATER).



< ORDERING INFORMATION >

USB313WF 01 024 600 3

- Series No. _____
- USB Type C Female Conn. _____
- Side Entry Waterproof Type _____
- Contact Position _____
- 24 Pin _____
- Packing _____
- 3: Tape & Reel _____
- Contact Plating _____
- 600: Selective G/F(1μ" Min.) _____

INSTALLING INFORMATION

6		New Version	2023.03.15
	REV.	DESCRIPTION	DATE
	DR. Shun	CHK. Ren	APP. Peter



TOLERANCE (UNLESS SPECIFIED)
 X.X = ±0.25
 X.XX = ±0.15
 X.XXX = ±0.05
 ANG. = ± 2°



UNICORN
 ELECTRONICS
 COMPONENTS

TITLE: USB Type C Female Connector
 Side Entry Waterproof Type

DWG NO. USB313WF-01-P

SHEET 2 / 2
 REV. 1