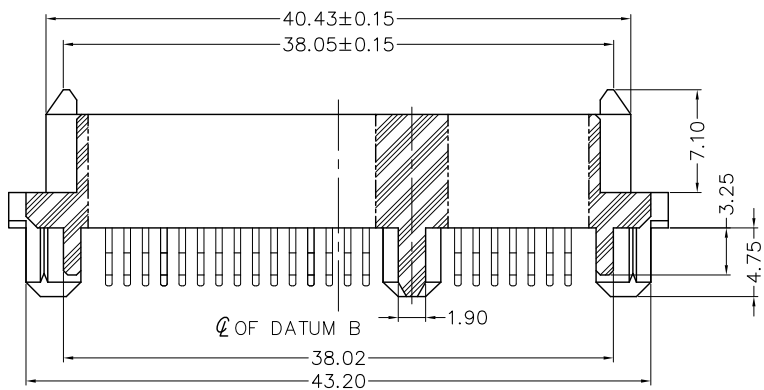
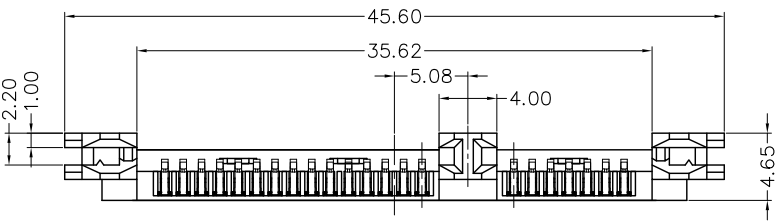
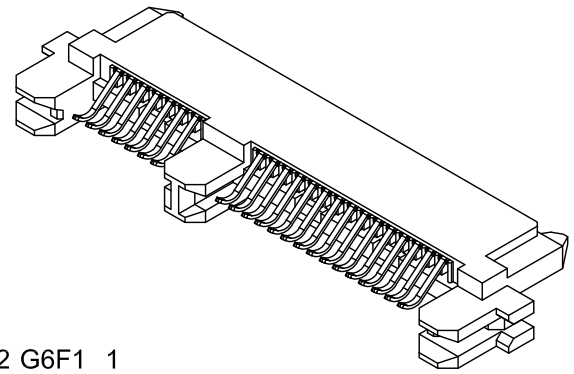
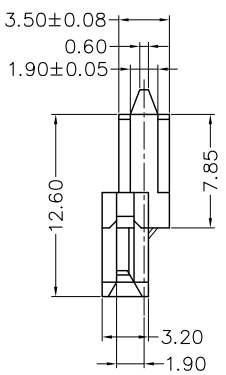


RECOMMENDED PCB LAYOUT(T=1.0mm)
TOLERANCE: ±0.05



SEC. B-B

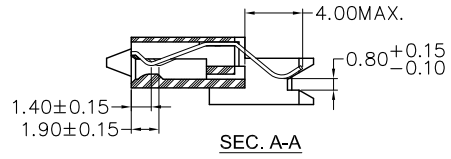


< ORDERING INFORMATION >

SSC11A 022 G6F1 1

SERIES NO. _____ PACKAGE
SATA COMBO RECEPTACLE STRADDLE MOUNTED 1: TRAY
CONTACT POSITION _____ CONTACT PLATING
7+15P 15u" SELECTED GOLD

- NOTES:**
- MATERIAL:**
HOUSING: THERMOPLASTIC, HIGH TEMP, 30% G/F UL94 V-0 RATED.
CONTACT: PHOSPHOR BRONZE
 - FINISH:**
CONTACT: GOLD PLATING ON CONTACT AREA
100u" MIN. TIN PLATING ON SOLDER TAILS
50u" MIN. NICKEL UNDERPLATING OVER ALL.



SEC. A-A

3	REVISED	2011,10,15
2	REVISED	2011,08,09
1	NEW VERSION	2011,07,26

REV.	DESCRIPTION	DATE
DR.	Denice	
CHK.	Ren	
APP.	Peter	

UNITS: MM

TOLERANCE (UNLESS SPECIFIED)	
0.0	±0.35
0.00	±0.20
0.000	±0.10
ANG.	±2°



TITLE: **SATA COMBO 22P RECEPTACLE STRADDLE MOUNTED ASS'Y**

DWG NO.	SERIES	SHEET
SSC11A_P	SSC11A	1 / 1
FILE PATH	REV.	
SATA\SSC\SSC11A_P3	3	