

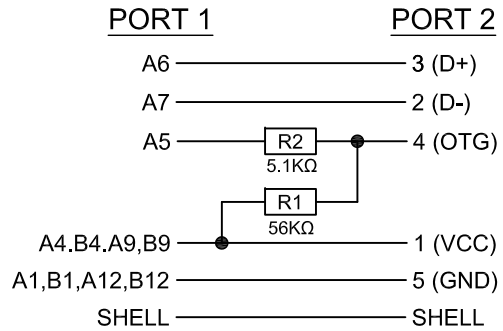
< ORDERING INFORMATION >

UMKCP 2209 GF 0

SERIES NO. | TYPE | PACKAGE | CONTACT PLATING

Type-C(M) to Micro-B(F) With Aluminium Sleeve | 0: PE Bag | GF: Gold-Flash

<< WIRE TABLE >>



NOTE

- MATERIAL
  - 1.1 INSULATOR: HIGH-TEMP PLASTIC UL 94 V-0;
  - 1.2 CONTACT: COPPER ALLOY
  - 1.3 SHELL: STEEL
  - 1.4 SLEEVE: ALUMINIUM
- TERMINAL FINISH
  - 2.1 CONTACT AREA: GOLD PLATING
  - 2.2 UNDERPLATE PLATED: NICKEL
- SHELL FINISH: NICKEL PLATED

PERFORMANCE CHARACTERISTICS

- CONTACT RESISTANCE: 100mΩ MAX.
- INSULATION RESISTANCE: 10MΩ MIN. AT DC 300V
- OPERATING TEMPERATURE: -40°C ~ 85°C
- MATING FORCE: 35N MAX..
- UNMATED FORCE: 8N(INITIAL) , 5N(AFTER TEST)
- DURABILITY: 10,000 CYCLES.

△	New Version	2018,11,01
REV.	DESCRIPTION	DATE
DR. Shun	CHK. Ren	APP. Peter



TOLERANCE (UNLESS SPECIFIED)

0.0	±0.35
0.00	±0.25
0.000	±0.15
ANG.	±1°



TITLE: Type C Male to Micro B Female  
OTG USB 2.0 Adapter With Aluminium

DWG NO. UMKCP2209GF0\_P  
FILE PATH OTG/UMKCP2209GF0\_P1

SHEET 1 / 1  
REV. 1