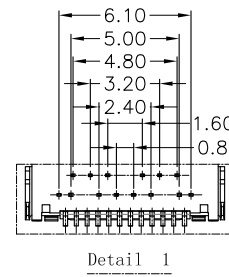
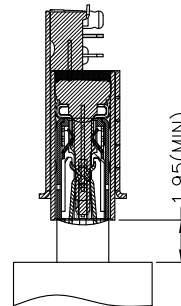
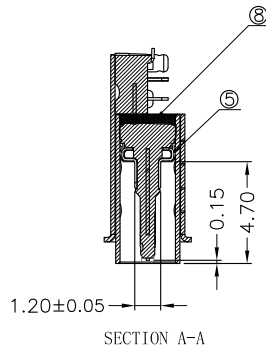
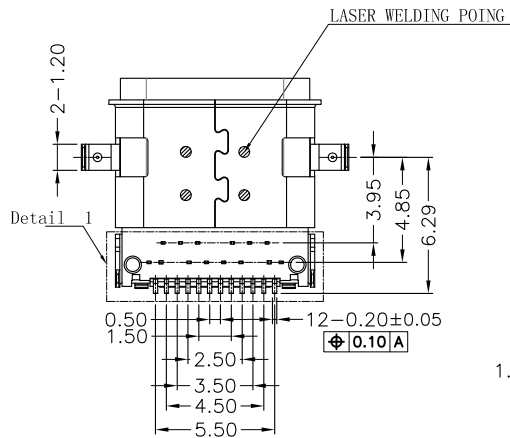
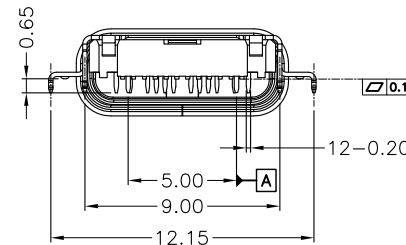
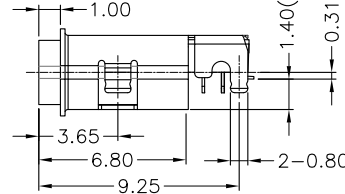
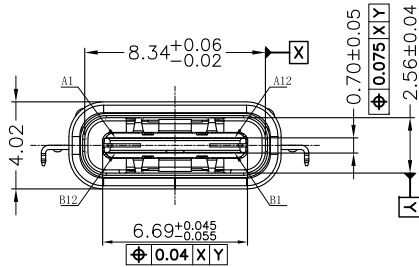
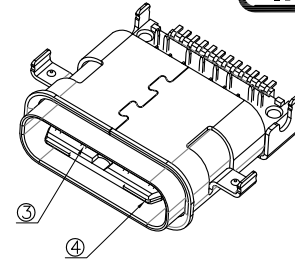
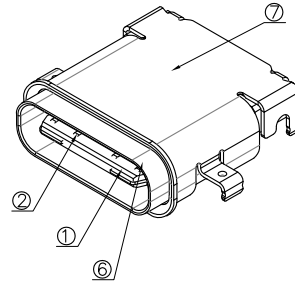
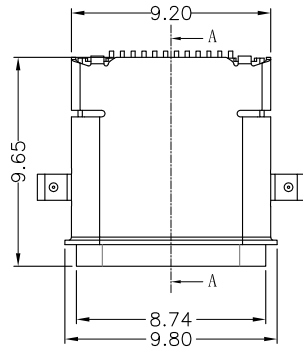


PRODUCT DRAWING

Pin	Signal Name	Mating Sequence	Pin	Signal Name	Mating Sequence
A1	GND	First	B12	GND	First
A2	SSTXp1	Second	B11	SSRXp1	Second
A3	SSTXn1	Second	B10	SSRXn1	Second
A4	V _{BUS}	First	B9	V _{BUS}	First
A5	CC1	Second	B8	SBU2	Second
A6	Dp1	Second	B7	Dn2	Second
A7	Dn1	Second	B6	Dp2	Second
A8	SBU1	Second	B5	CC2	Second
A9	V _{BUS}	First	B4	V _{BUS}	First
A10	SSRXn2	Second	B3	SSTXn2	Second
A11	SSRXp2	Second	B2	SSTXp2	Second
A12	GND	First	B1	GND	First
SHELL		GND	SHELL		GND



NOTES:

- MATERIAL: SEE "TABLE 1";
- FINISH: SEE "TABLE 1";
- ELECTRICAL:
 - CONTACT CURRENT RATING:
 - 5A(VBUS PIN 1.5A/PIN),
 - 5A(GND PIN 1.25A/PIN MAX),0.25A/PIN(OTHER PIN).
 - INSULATION RESISTANCE:
 - 100 MEGAOHMS MIN. AT 250VDC.
 - DIELECTRIC WITHSTANDING VOLTAGE:
 - 100VAC MIN.
 - LOW LEVEL CONTACT RESISTANCE:
 - INITIAL 40mΩ MAX.
 - AFTER 50mΩ MAX.
- MECHANICAL CHARACTERISTICS:
 - MATING FORCE: 5~20N.;
 - UNMATING FORCE: 8~20N(INITIAL),6~20N(AFTER 10000 CYCLES);
 - DURABILITY: 10,000 MATING CYCLES.
 - OPERATING TEMPERATURE :-40 C TO +80 C

TABLE 1:

NO.	PART NAME	QTY	MATERIAL	DESCRIPTION	REMARK
⑧	GLUE WATER	1	EPOXY	BLACK;	
⑦	Shell-2	1	Stainless steel	N PLATING;	T=0.20mm
⑥	Shell-1	1	Stainless steel	N PLATING;	T=0.20mm
⑤	GND PLATE	1	Stainless steel	N PLATING;	T=0.10mm
④	MID PLATE	1	Stainless steel		T=0.15mm
③	Terminal-B	12	铜镍硅合金	Au:15u" PLATING;	T=0.12mm
②	Terminal-A	12	铜镍硅合金	Au:15u" PLATING;	T=0.12mm
①	Housing	1	HIGH TEMP	Black	

△	New Version	2018,09,18
REV.	DESCRIPTION	DATE
DR. Shun	CHK. Ren	APP. Peter



TOLERANCE (UNLESS SPECIFIED)
 0.0 ±0.35
 0.00 ±0.20
 0.000 ±0.10
 ANG. ±2°



TITLE: USB TYPE C CF WATERPROOF CL=0.30
 SINK 1.40mm 24P DIP+SMT TYPE

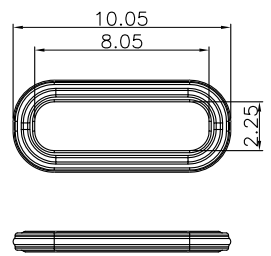
DWG NO.	USB302_P1	SHEET	1 / 2
FILE PATH	USB302024GXXXXX_P1	REV.	1



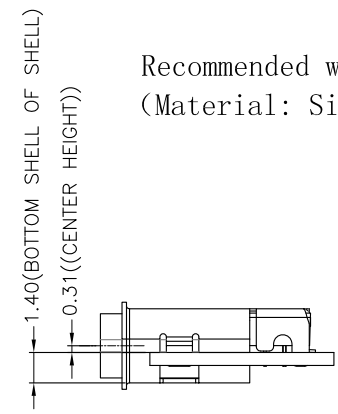
< ORDERING INFORMATION >

USB302 024 GXX X
SERIES NO. _____
 USB TYPE C CONNECTOR
CONTACT POSITION _____
 24 Pin
CONTACT PLATING _____
 G24: ALL GOLD(AU:1 μ "")
 G21: ALL GOLD(AU:3 μ "")
 G22: ALL GOLD(AU:5 μ "")
 G16: ALL GOLD(AU:10 μ "")
 G9: ALL GOLD(AU:15 μ "")
 G23: ALL GOLD(AU:30 μ "")

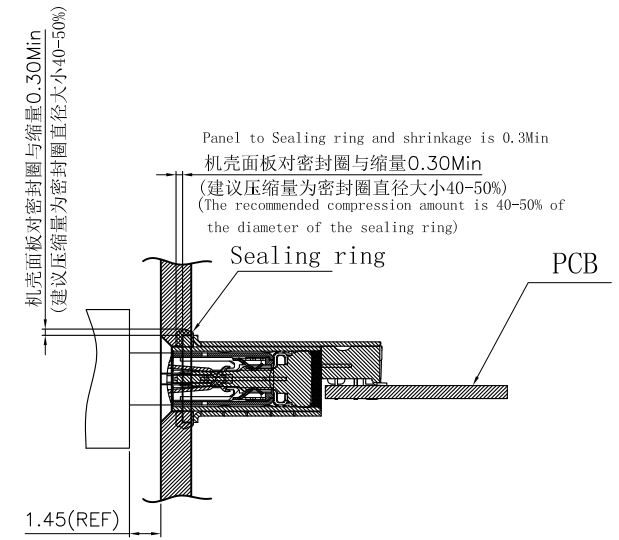
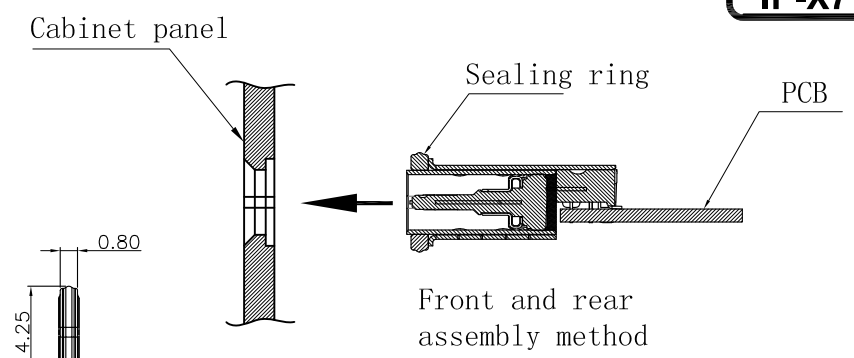
PACKAGE
 1: Tray
 3: Type Reel



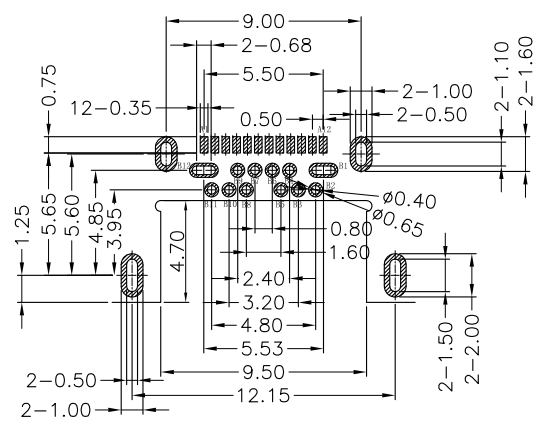
Recommended waterproof ring spec
(Material: Silicone Rubber)



Suggested sealing method



Male & female insertion diagram after assembling panel



RECOMMENDED P.C.B LAYOUT(Both sides are sample)
Tolerance:±0.05,Thickness=0.60mm

△	New Version	2018,09,18
REV.	DESCRIPTION	DATE
DR. Shun	CHK. Ren	APP. Peter



TOLERANCE (UNLESS SPECIFIED)

0.0	±0.35
0.00	±0.20
0.000	±0.10
ANG.	±2°



TITLE: USB TYPE C CF WATERPROOF CL=0.30
 SINK 1.40mm 24P DIP+SMT TYPE

DWG NO.	USB302_P1
FILE PATH	USB302024GXXXXXX_P1

SHEET	2 / 2
REV.	1